



KIT COMPONENTS

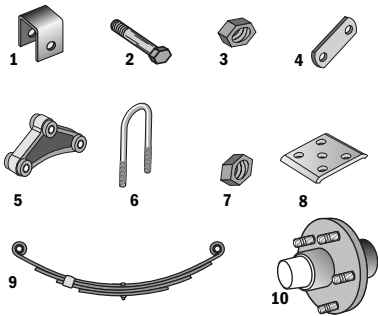
Tandem Axle Hanger Kit

Spring hangers for the tandem kit are welded on the bottom of the frame. The spacing of the hangers is generally 4.25" LONGER than the distance between the spring eyes. This takes into consideration the length of the center equalizer used. All measurements taken from center of brackets and center of spring "eyes". Tandem axle double eye springs require spring shackles at the equalizer mount to allow spring movement.

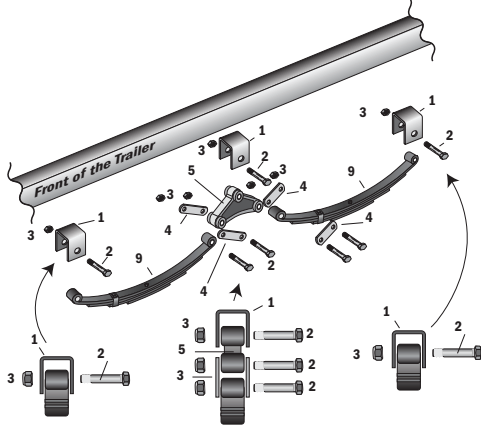
Please refer to the Dexter Service Manual available at dexteraxle.com for more specific installation details.

Use the installation and maintenance instructions for your Hub if included in your kit.

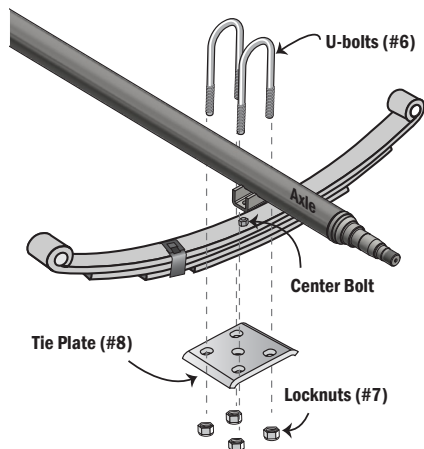
Kit Contents:



Hanger Assembly Exploded View:



U-Bolt Exploded View:



K71-G02-15 (86542) contains the following components:

#	Qty.	TDE Part #	DX Part #	Description
1	6	17144	028-049-00	Spring Hanger
2	14	10830	007-612-00	Shackle Bolt
3	14	10688	006-727-00	Nylon Lock Nut 9/16"
4	8	17145	018-012-05	Shackle Link
5	2	17130	013-122-02	Equalizer
6	8	84434-1Z	011-305-00	U-bolt 1/2" x 2.56" x 5.38"
7	16	10645	006-714-00	Nylon Lock Nut 1/2"
8	4	17124Z	012-051-02	Axle Tie Plate
9	4	13074	072-042-00	4 Leaf Springs

K71-G02-09 (86549) contains the following components:

#	Qty.	TDE Part #	DX Part #	Description
1	6	17144	028-049-00	Spring Hanger
2	14	10830	007-612-00	Shackle Bolt
3	14	10688	006-727-00	Nylon Lock Nut 9/16"
4	8	17145	018-012-05	Shackle Link
5	2	17130	013-122-02	Equalizer
6	8	84765-1Z	011-307-00	U-bolt 1/2" x 3.06" x 7"
7	16	10645	006-714-00	Nylon Lock Nut 1/2"
8	4	17114Z	012-327-01	Axle Tie Plate
9	4	13072	072-026-00	4 Leaf Springs

K71-G02-16 (86547) contains the following components:

#	Qty.	TDE Part #	DX Part #	Description
1	6	17144	028-049-00	Spring Hanger
2	14	10830	007-612-00	Shackle Bolt
3	14	10688	006-727-00	Nylon Lock Nut 9/16"
4	8	17145	018-012-05	Shackle Link
5	2	17130	013-122-02	Equalizer
6	8	84434-1Z	011-305-00	U-bolt 1/2" x 2.56" x 5.38"
7	16	10645	006-714-00	Nylon Lock Nut 1/2"
8	4	17124Z	012-327-01	Axle Tie Plate
9	4	13074	072-042-00	4 Leaf Springs
10	2	46210PA	008-528-09	Hub - 1750 Painted