



# INSTALLATION INSTRUCTIONS

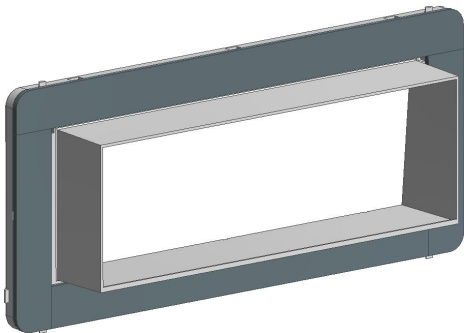
## V2111 Exterior Wall Vent

- BV2111-11: Wall Vent, 1-3/4" Collar, Col. White**
- BV2111-13: Wall Vent, 1-3/4" Collar, Polar White**
- BV2111-18: Wall Vent, 1-3/4" Collar, Nutru White**
- BV2111-55: Wall Vent, 1-3/4" Collar, Black**
- BV2111-61: Wall Vent, 1-3/4" Collar, Frost White**
- BV2111-01: Wall Vent, 5/8" Collar, Col. White**
- BV2111-03: Wall Vent, 5/8" Collar, Polar White**
- BV2111-05: Wall Vent, 5/8" Collar, Black**
- BV2111-08: Wall Vent, 5/8" Collar, Nutru White**
- BV2111-21: Wall Vent, 5/8" Collar, Frost White**

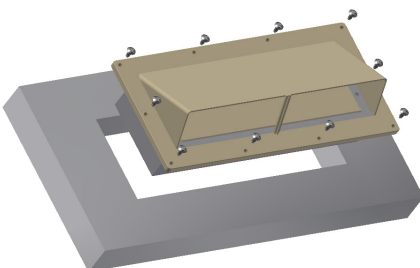
1. Cut rough opening through sidewall in accordance with appliance manufacturer's instructions. (minimum rough opening for vent: 10¼ x 3 5/8 ).



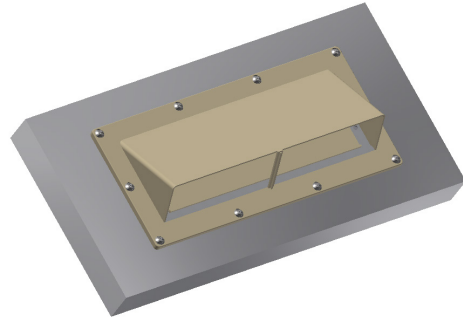
2. Apply seal of choice (not included) to the underside of the vent flange.



3. Center and insert the flange into the rough opening, making sure the flange collar overlaps the outlet flange of the installed appliance. Fasten wall vent to the wall with screws (not included) through the mounting holes. Trim excess seal around the perimeter of the flange.



4. Apply sealant of choice in seams of the wall, cover top and sides. Note: damper lock is shown in the open position, to lock damper push up past the detent.



5. Rotate locks out to lock the damper. Rotate the locks downward to unlock the damper and to open and close freely.

