



AIR SUSPENSION SYSTEMS HEAVY DUTY TRAILER SOLUTIONS



**UNIQUE
CUSTOMIZATION.**

COMPLETE TRAILER SOLUTIONS

- » Suspensions designed to fit your trailer, so you don't have to build a trailer to fit the suspension
- » Engineered for simplicity, long life, and durability
- » 20,000 - 30,000 lbs. capacities

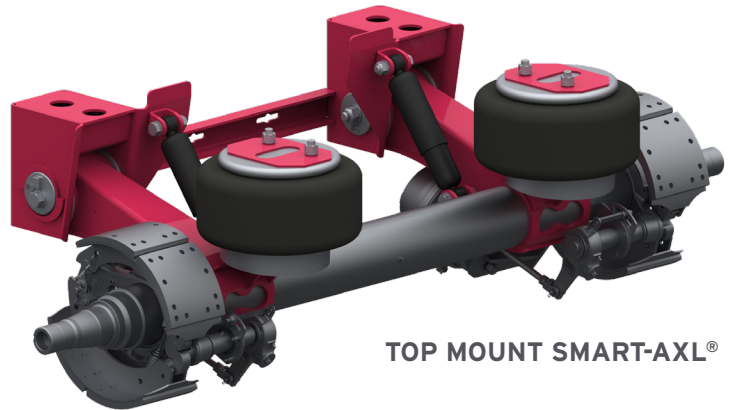
SUPPORT EVERY STEP OF THE WAY

- » Over 60 years of axle design and manufacturing experience
- » Engineering support to create custom configurations to match your specifications
- » Exceptional customer service and technical field support team to support you after purchase

INTEGRATED AIR RIDE SYSTEMS

» FULLY INTEGRATED

- Utilizes industry standard components for optimum durability and easy installation
- Designed for multi-axle trailers
- Self-steer axle compatible versions
- Disc and drum brake compatible versions
- Multiple hanger and lift kit options
- 6.5" - 19" ride height range options



TOP MOUNT SMART-AXL®

» HANGER OPTIONS

Custom centers and bolt patterns

Galvanized upgrade available

BOLT ON



SIDE FLANGE



WELD ON

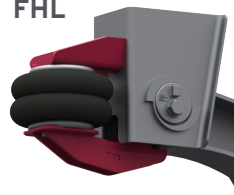


WINGED WELD



» LIFT KIT OPTIONS

FHL



UHL



INTEGRATED AIR RIDE SYSTEMS

» ISS SERIES

- Fully customizable systems with over 25 different style options
- 25,000 - 30,000 lbs. capacities
- Optimum I-Beam style trailing arm design
- Patented fully wrapped axle connection for long-lasting durability
- Compatible with all Dexter's standard and self-steer axles
- 7/8" eccentric alignment pivot connection standard

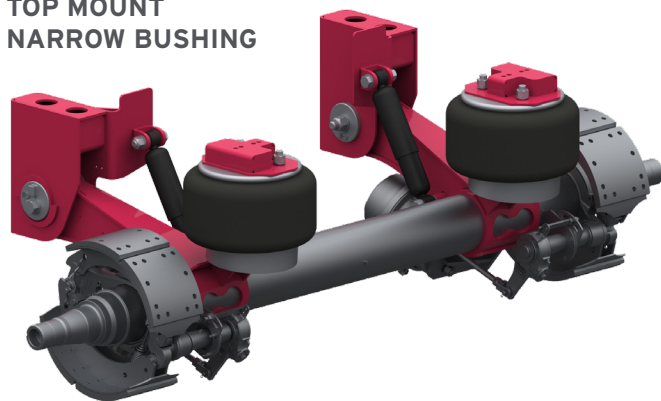
» SEVERE DUTY OPTIONS:

1-1/8" fully welded pivot connection

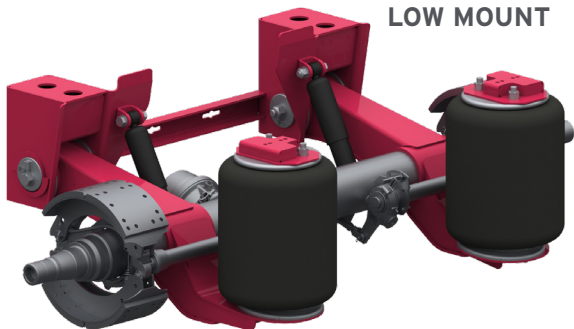
Strap, chain or cable style down travel restraints available



TOP MOUNT
NARROW BUSHING



LOW MOUNT



» SMART-AXL®

- Weight-optimized design utilizes large diameter axle for increased strength
- 23,000 - 30,000 lbs. capacities
- All models include camshaft enclosures and are tire inflation system ready
- Multiple wheel end packages
- Short camshaft standard on top mount

» OPTIONS:

Primed or black top coat finish

Track lengths: 71.5", 77.5", 83.5", 85"

Extreme duty thick wall axle available

Narrow bushing for 23,000 lbs. top mount

www.dexteraxle.com

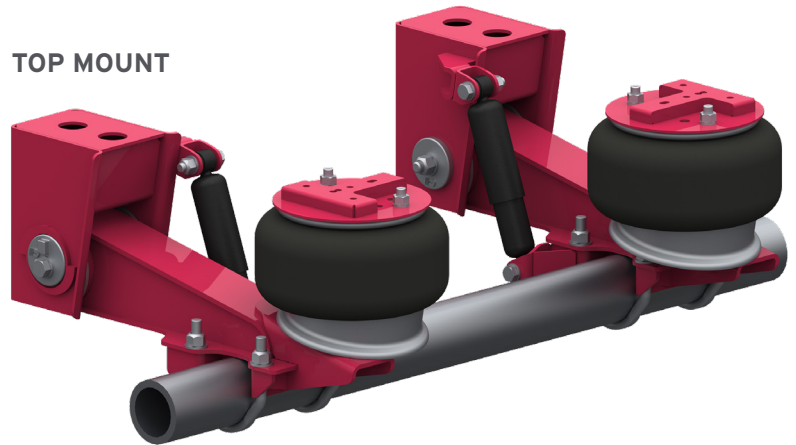
LOOSE & SPECIALTY SYSTEMS

» LSS SERIES

If a fully integrated package does meet your needs and you need to adjust your suspension setups on the fly, Dexter's Loose Suspension System (LSS) offers maximum flexibility. Shipped without the axle installed, you can install them whenever and wherever you want.

- 23,000, 25,000, and 30,000 lbs. capacities
- Ride heights from 6.5" - 19"
- Designed for standard 5" round axle tube
- Utilizes industry-standard geometry and components for easy installation and maintenance
- Can be paired with Dexter's industry-leading Smart-Steer® axle
- Renowned Dexter durability

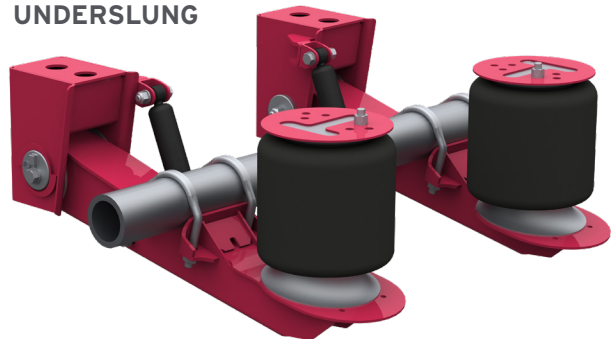
TOP MOUNT



TOP MOUNT - LIFTABLE



UNDERSLUNG



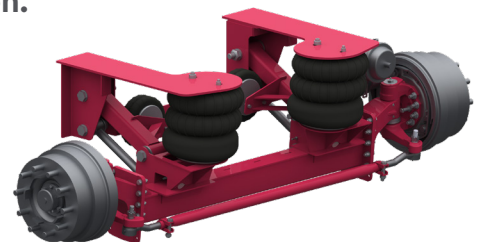
» MODULES

Suspension non-slider modules save you time and money. Pre-built sub-frames can also be wired and plumbed for ultimate convenience.



» SPECIALTY

When trailers need that extra lift axle or a special custom design, Dexter can offer a selection of specialty suspensions for those requirements. From compact designs to high lift suspensions, we have what you need for your application.



www.dexteraxle.com

© 2023-2024 Dexter Axle Company | LIT-428-00 | 2024.02