



# LIGHT DUTY LEAF SPRING SUSPENSION OFFERING



**SAFETY AND  
RELIABILITY.**

## LEGENDARY QUALITY

- » Stringent quality and testing processes to ensure the best performance
- » Domestically sourced components that go through rigorous certification processes
- » Made in America
- » Five Year Warranty

## SUPERIOR COMPONENTS

- » Shackle links, U-Bolts, and tie plates manufactured in-house
- » Coined U-Bolts provide a larger tube contact area, leading to a superior leaf spring attachment
- » Rugged cast iron spring seats prevent tubes from rolling in U-Bolt

# CARRYING WHAT MATTERS

## » A STRONG FOUNDATION

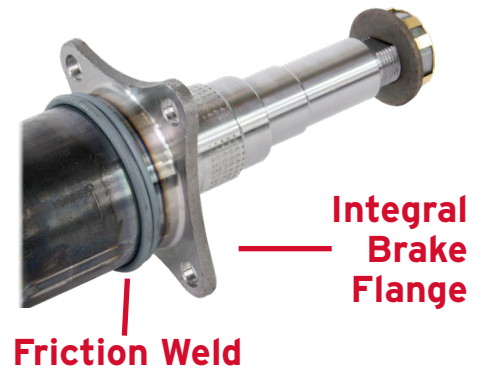
Your axle beam and spindles are paramount to the structure of your trailer. In all welding applications, vision technology assures consistent weld placement and penetration. Dexter utilizes friction welded technology providing superior reliability, strength, and performance.

## » SOLID RELIABILITY

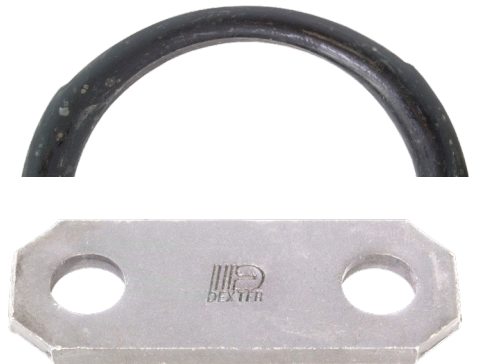
Dexter manufactures attaching parts in-house, maintaining stringent tolerances required for long-lasting product quality and performance.

Thicker and heavier shackle links paired with unique coated and coined U-Bolts provide an extended service life and ensure your axle is adequately secured. The increased surface area also provides superior holding force.

In axle production, a multi-head nut runner is used to apply equal torque to all U-Bolt fasteners, ensuring proper installation and a secure union between the suspension and the axle.



## Attaching Hardware

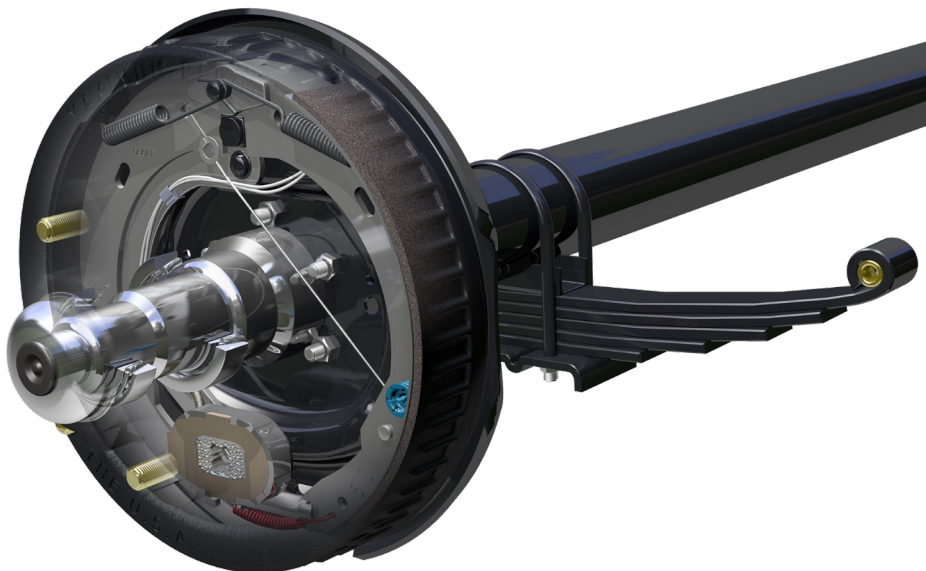


## » AVAILABLE IN:

- 2,200-8,000 lbs. capacity
- Double eye or slipper in single, tandem or triple applications
- Straight or 4" drop spindle
- Various bearing lubrication and brake specifications options

## » FEATURES:

- Individually designed to customer specifications
- Majority of brakes models have CSA certification
- ISO 9001:2015 Certified Production Environment



SCAN TO  
LEARN  
MORE



[www.dexteraxle.com](http://www.dexteraxle.com)

© 2005-2022 Dexter Axle Company | LIT-240-00 | 2022.09

