

Date: October 14, 2022

Subject: M1399 10,000 lbs. Torflex® for Marine Applications

Dexter is pleased to announce the addition of the M1399 10,000 lbs. Torflex axle with Kodiak® by Dexter disc brakes designed for the boat trailer market. This system features a corrosion-resistant coating and a center v-bend or straight center beam. Pair this system with one of Dexter's recommended actuators for maximum stopping power. Please refer to the next page for M1399 specifications and options.



M1399

CORROSION RESISTANT
BOAT TRAILER AXLE



INCLUDES



DISC BRAKES

This system will be available to order from Dexter's Fremont, IN and Atlanta, GA locations as well as Dexter's extensive distribution network. Service parts will be available at select locations.

Please contact your Dexter account manager for additional information and further assistance.



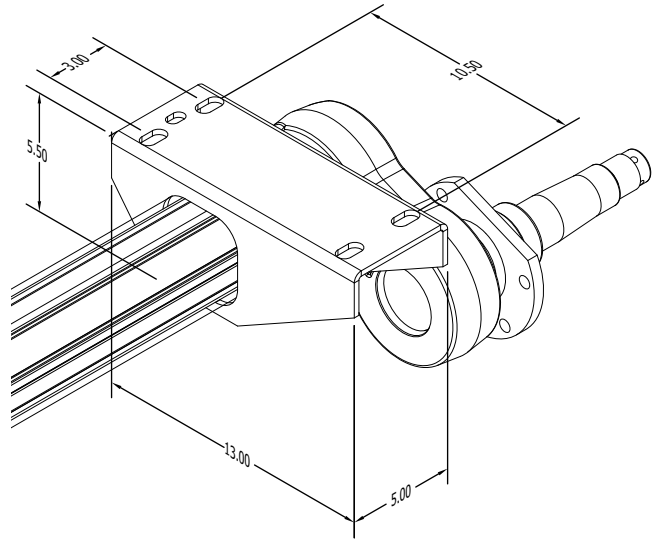
Jay Klinkerman
Product Manager

M1399 AXLE SPECIFICATIONS

ATTRIBUTE	DESCRIPTION
Tube Size	3.88" OD Square
Spindle Type	#99 with narrow brake flange for Kodiak by Dexter disc brakes
Lubrication	Grease
Hub & Rotor	008-B77-90 Hub & Rotor Assembly 5/8 Stud, 8 on 6.50" Bolt Circle GAL-DEX® Coated.
Wheel Studs	007-LB3.165
Bearings/Races	031-030-02 Outer Cone (25580) 031-090-02 Inner Cone (28580)
Grease Seal	010-257-00
Kodiak by Dexter Disc Brakes Options	Dacromet Coated Caliper: 089-DBC-338-D-L (LH) 089-DBC-338-D-R (RH)
Axle not offered with other disc brakes, bare-beam, or idler.	Stainless Steel Caliper: 089-DBC-338-SS-L (LH) 089-DBC-338-SS-R (RH)
	Dacromet Mounting Bracket: 090-CMB-13-10Q
Actuator Options	Dexter BrakeRite® E/H Dexter DX Series E/H Dexter DX20 Surge <i>(limited to 20,000 lbs. max. GVWR)</i> Dexter DX20EX Surge <i>(limited to 20,000 lbs. max. GVWR)</i>
Overhang Options	Min. - 18.75" Max. - 34.00"
Wheels	Only single wheels can be used due to narrow overhang
Start Angles	22.5° Up, 10° Up, 0°, 10° Down, 22.5° Down, 32° Down, 45° Down
Bracket Options	High Profile #13 Bracket 5" Wide Universal Bracket
Beam Options	Center V-bend Straight
Beam Coating	Galvanized
Axle Configuration	Single or Tandem Axle Applications

FOR USE WITH MARINE/BOAT TRAILER APPLICATIONS ONLY

1" HIGH PROFILE UNIVERSAL BRACKET



1" HIGH PROFILE #13 BRACKET

