



INSTALLATION INSTRUCTIONS

Exterior Wall Vent - V2250 Series

BV2250-03: Wall Vent, 9/16" Collar Depth, Polar White

BV2250-05: Wall Vent, 9/16" Collar Depth, Black

BV2250-55: Wall Vent, 1-11/16" Collar Depth, Black

Note: This wall vent is designed to work with Remote Range Hood Damper (990004-00).

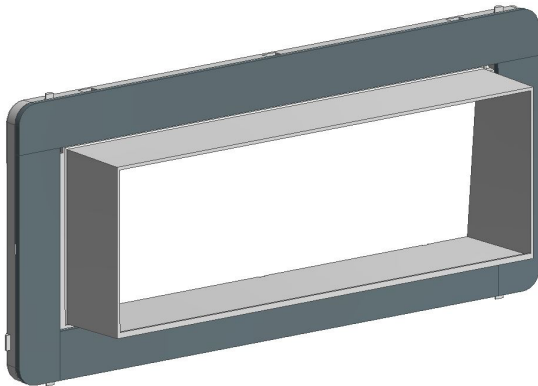
CAUTION

Review and understand all installation instructions before beginning installation. Wear proper safety equipment during installation.

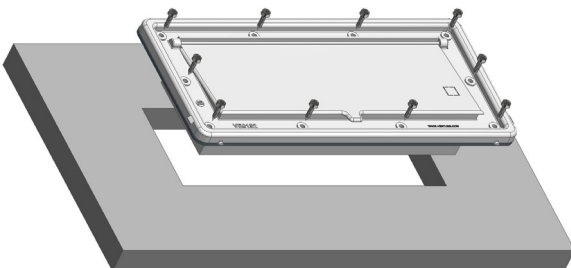
1. Cut rough opening through sidewall in accordance with the appliance manufacturer's instructions. (minimum rough opening for vent is 10 1/4 x 3 5/8).



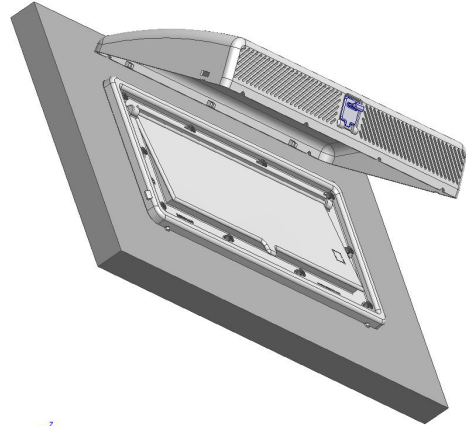
2. Apply seal of choice (**not included**) to underside of vent flange.



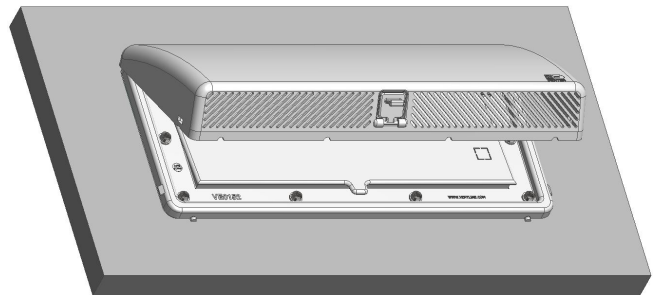
3. Center and insert flange into rough opening making sure flange collar overlaps outlet flange of installed appliance. Fasten wall vent to wall with screws (**not included**) through the mounting holes. Trim excess seal around perimeter of flange before installing cover.



4. Install cover by sliding down onto flange aligning the (3) locking tabs in the cover and the (3) receiving slots in the flange.



5. Rotate cover down until the (2) snaps located on opposite sides of the cover are securely locked in place



6. Apply sealant of choice in seams of wall and cover top and sides. **Note: damper lock shown in open position, to lock damper push up past the detent.**

