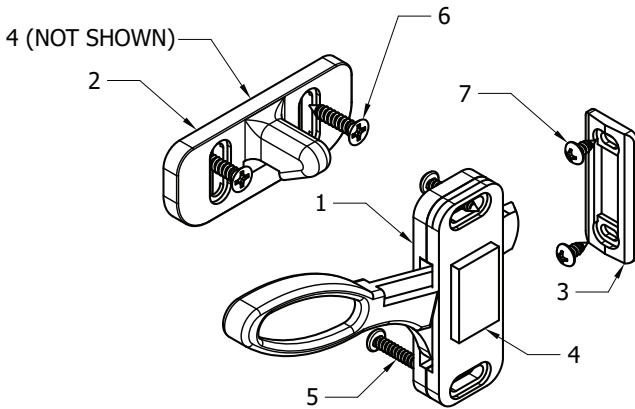




INSTALLATION INSTRUCTIONS

Screen Door Handle Kit: 990001-01 (RH), 990001-02 (LH)

Parts List			
Item	Quantity	Part Number	Description
1	1	4442-01/02	RH/LH Latch Assembly
2	1	4427-06	Keeper
3	1	4232-00	Strike Plate
4	2	7028	Foam Tape (Ref)
5	2	3635-00	Phillips Head Screw (Long)
6	2	2692-00	Flat-Head Screw
7	2	3030-00	Phillips Head Screw (Short)



4442-01 Right Hand Latch Assembly Shown

1. Prelocate and align keeper to cam down latch handle so that it is located even with strike plate.
2. Use screw 3635-00 to attach latch to aluminum frame of screen door.
3. Use screw 2692-00 to attach keeper to door core.
4. Use screw 3030-00 to attach strike plate to outer door frame.