

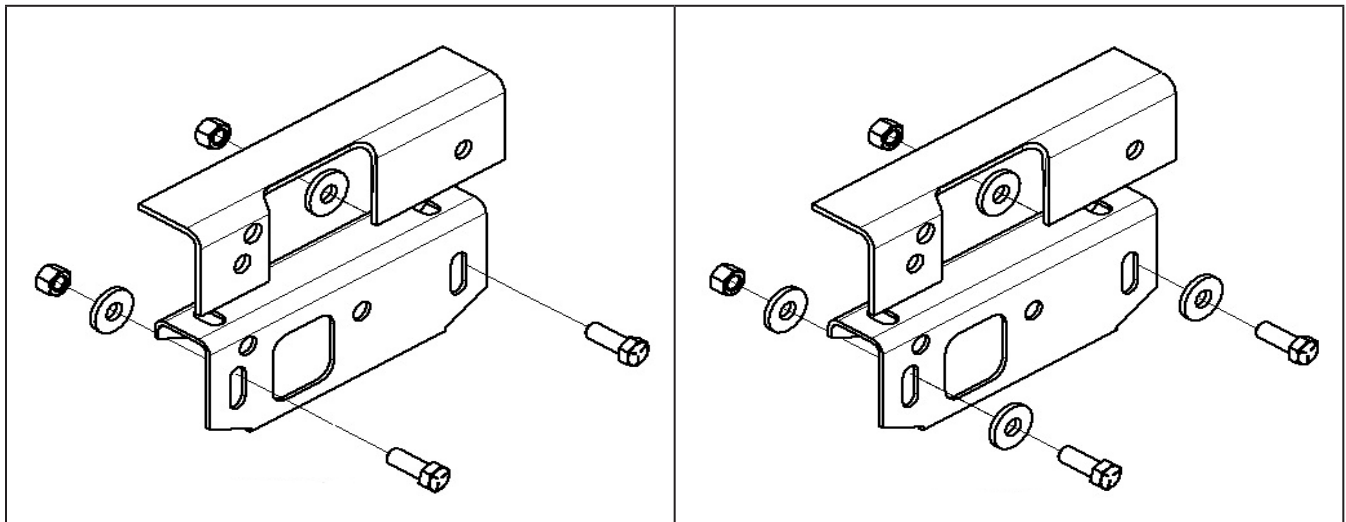
Date: November 9, 2012

## Service Bulletin – Aluminum Side Mount Kit Modification

Effective November 2012, we will change our aluminum side mount kits to have eight (8) washers instead of four (4). This will affect the following side mount kits:

- ▶ A/P-180-00 used on #8 and #9 axles
- ▶ A/P-186-00 used on #8 and #9 marine axles
- ▶ A/P-181-00 used on #10 axle
- ▶ A/P-182-00 used on #11 axle
- ▶ A/P-183-00 used on #12 axle

The illustrations below show the new style kit having a washer behind the bolt head and in front of the nut. The old style kit only had a washer in front of the nut.



Old Style

New Style

Please contact your Dexter sales engineer if you have additional questions or need further assistance.



Rick Kapsa  
Product Manager