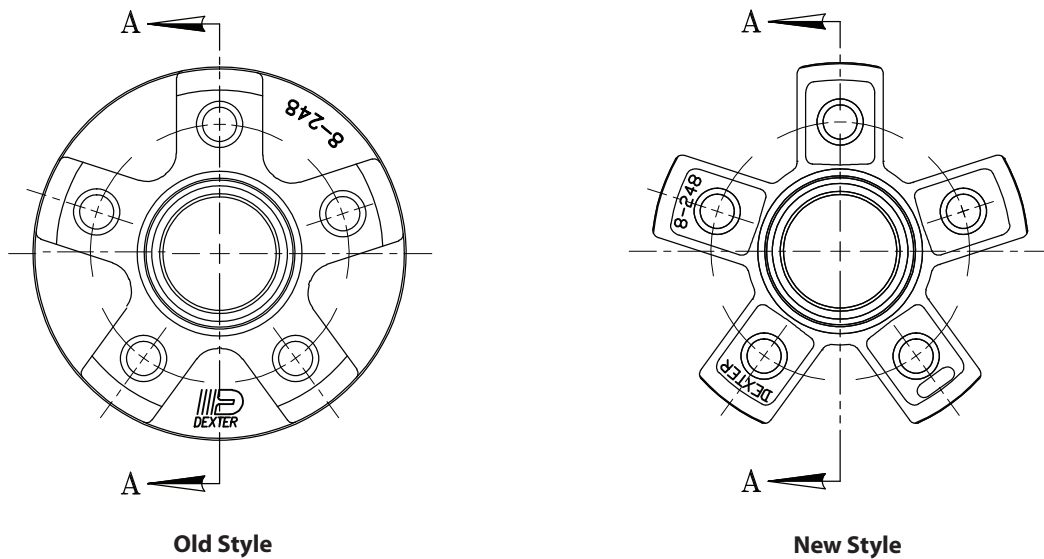


Date: October 26, 2007

## Subject: Redesign of 008-248 Hub Series

In keeping with our continual commitment to product improvement and remaining competitive in the marketplace, Dexter Axle is pleased to announce the redesign of our 008-248 hub series used on D35 idler axles. This is a cosmetic change only and will NOT affect the performance or functionality of the hub. The change will only apply to the commonly used 5 on 4.50 and 5 on 4.75 bolt circles. This is being made as a running design change and will not result in a new part number. Dexter will begin supplying the new style hubs immediately.

To identify old and new style hubs in your stock, please reference the images below.



Please contact your Dexter Sales Engineer if you have additional questions or need further assistance regarding this product improvement.



Jon Root  
Business Development