

Date: March 28, 2014

Subject: New Torflex® Removable Spindle Option

In keeping with our continual commitment to product innovation, Dexter Axle is pleased to announce the release of a removable spindle on select Torflex® axles. The removable spindle option on new axles will allow end users to simply remove and replace damaged spindles in the field without purchasing a new axle beam. This new option features our E-Z Lube® grease system and will be available in early 2014:

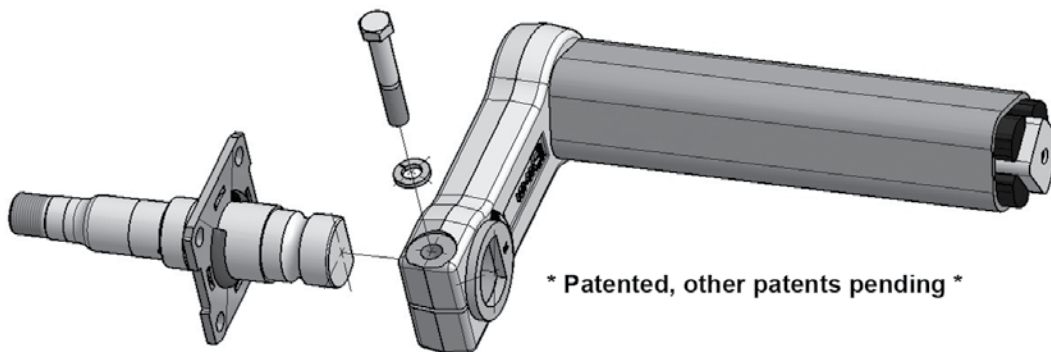
Availability:

Model	Capacity	Start Angles	Spindle Replacement Kits
#9	1,000 - 2,200 Lbs.	All Standard Start Angles Available	K71-742-00*
#10	2,300 - 3,500 Lbs.	All Standard Start Angles Available	K71-743-00*
#11	3,600 - 6,000 Lbs.	All Standard Start Angles Available	K71-744-00*
#12	5,500 - 7,000 Lbs.	All Standard Start Angles Available	K71-745-00*

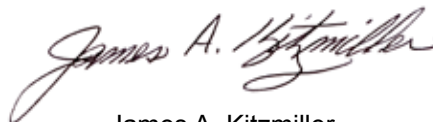
* All kits include one each; spindle, bolt, washer, grease packet and instruction sheet.

Overhang per Side (Hubface to Outside Bracket):

Model	Minimum	Disc Brakes	Maximum
#9	6.75"	6.75"	9.04"
#10	6.56"	6.56"	11.80"
#11	7.25"	7.50"	10.22"
#12	7.25"	7.25"	15.21"



Please contact your Dexter sales engineer if you have additional questions or need further assistance.



James A. Kitzmiller
Market Manager