



PRODUCT BULLETIN #379

Date: September 9, 2015

Subject: Discontinuation of AL-KO Axis 8K Axles (RT-80, ST-80, DR-80) and 12" x 2" Electric Brakes

Effective immediately, the 12" x 2" electric brake option (568905 RH and 568906 LH) and assembly kits (K568905 RH and K568906 LH) are no longer available. Additionally, replacement axles or beams for the RT-80, ST-80 and DR-80 will no longer be available. The 7" per side overhang can be accomplished using Dexter's series model D72 and #12V. For overhangs in excess of 14", Dexter recommends Dexter's model D80 or AL-KO's model D80, T80, or QFH-80. Alternative replacement axles listed may not meet 8,000 lbs. rated axles. In the event an axle is replaced on a trailer, it is recommended that all axles on the trailer be replaced.

For replacement brake components and hub/drum parts available see pages 2 & 3.

AL-KO Axis Discontinued Axles			
Axle Type	Description	Min. Overhang	Max. Overhang
ST-80	AL-KO 8,000 lbs. rated axle using a "42" spindle and 3.50" round tubing	15.00"	22.00"
DR-80	AL-KO 8,000 lbs. rated axle using a "42" spindle and 3.50" round tubing	18.00"	23.50"
RT-80	AL-KO 8,000 lbs. rated axle using a "42" spindle and rubber suspension	15.25"	21.00"

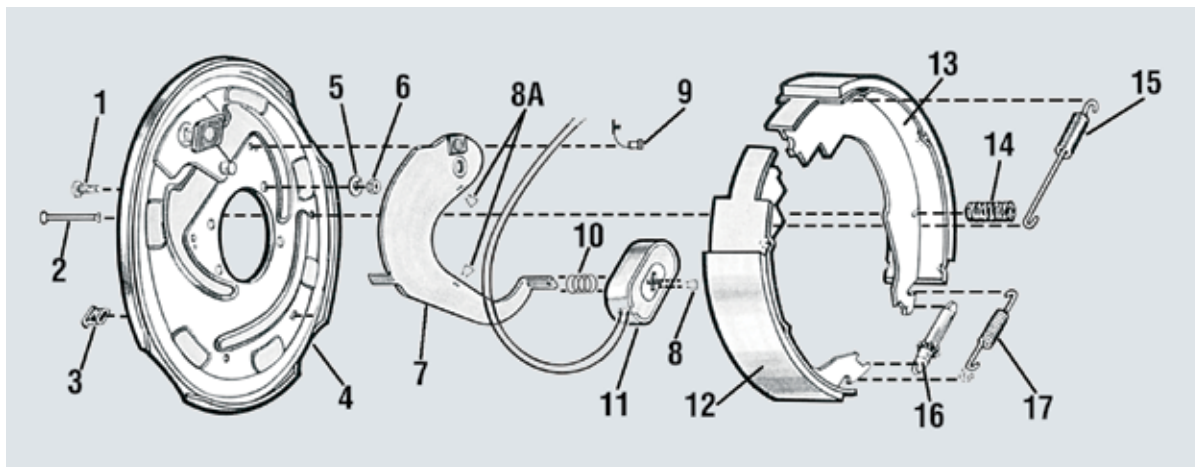
Alternative Replacement Axles			
Axle Type	Description	Min. Overhang	Max. Overhang
D72 - Straight	Dexter 7,200 lbs. rated axle; Straight Spindle, 12.25" x 2.50" Electric Brake, Leaf Spring Suspension	14.00"	18.00"
D72 - Drop	Dexter 7,200 lbs. rated axle; Drop Spindle, 12.25" x 2.50" Electric Brake, Leaf Spring Suspension	15.54"	18.00"
#12V	Dexter 7,200 lbs. rated axle (12.25" x 2.50" Electric Brake) Torflex® Suspension	14.00"	29.55"
D80 - Straight	Dexter 8,000 lbs. rated axle; Straight Spindle, 12.25" x 3.38" Electric Brake, Leaf Spring Suspension	16.00"	19.00"
D80 - Drop	Dexter 8,000 lbs. rated axle; Drop Spindle, 12.25" x 3.38" Electric Brake, Leaf Spring Suspension	18.00"	19.00"
D80	AL-KO 8,000 lbs. rated sprung axle using a "42" 4" drop spindle, 3.50" round tubing and a 12" x 3 3/8" Brake	18.00"	23.50"
T80	AL-KO 8,000 lbs. rated sprung axle using a "42" straight spindle, 3.50" round tubing and a 12" x 3 3/8" Brake	17.00"	22.00"
QFH-80	AL-KO 8,000 lbs. rated rubber torsion axle using a "42" spindle, 3.90" square tubing and a 12" x 3 3/8" Brake	17.00"	21.00"

Please contact your Dexter Sales Engineer with any questions.

Rick Kapsa
Market Manager

Service Replacement Parts

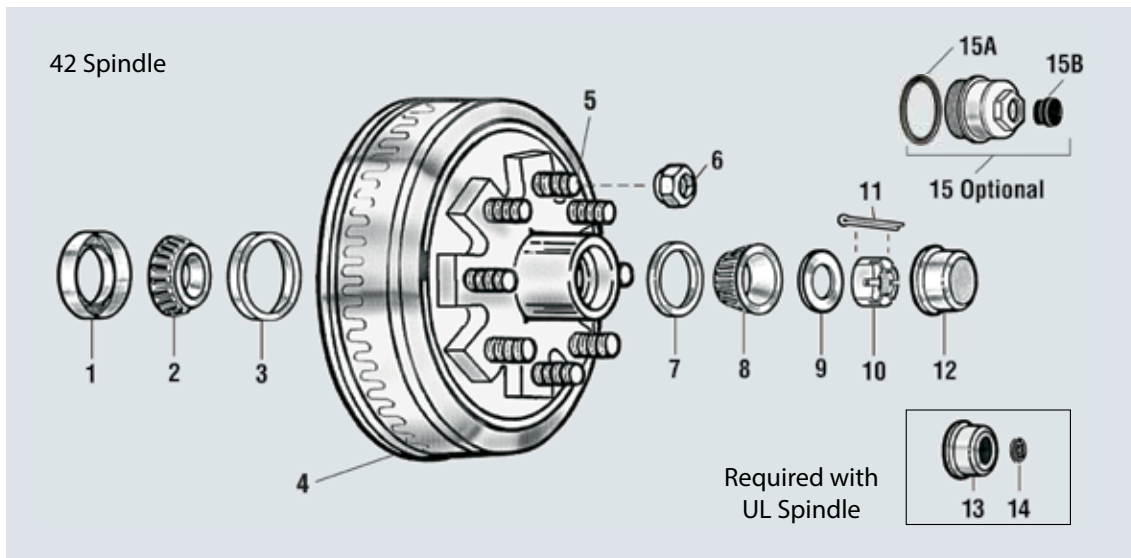
12" x 2" Electric Brake RT-80, ST-80, and DR-80



No.	Brake Part Description	AL-KO Part No.	Dexter Part No.
0	RH Brake Assembly Complete	N/A	N/A
0	LH Brake Assembly Complete	N/A	N/A
1	Brake Mounting Stud, 1/2"-20	N/A	007-112-00
2	Shoe Hold Down Pin	N/A	049-002-00
3	Plug Adjustor Slot	N/A	046-007-00
4	Backing Plate Assembly - 4 Bolt	N/A	N/A
5	Brake Lock Washer 3/8"	N/A	005-004-00
6	Brake Mounting Nut 3/8"-24	A363333	N/A
7	RH Lever Assembly	568113	N/A
7	LH Lever Assembly (Shown)	568114	N/A
8	Clip, Wire & Magnet	N/A	N/A
8A	Clip Wire Retainer	N/A	N/A
9	Strain Relief, Wire	N/A	N/A
10	Magnet Spring	N/A	N/A
11	Magnet Assembly	N/A	K71-126-00
12	Shoe & Lining Kit	N/A	K71-817-00
14	Shoe Hold Down Cup & Spring	N/A	046-077-00
15	Shoe Retract Spring	568096	N/A
16	Adjuster Screw Assembly	N/A	043-004-00
16	Adjuster Screw Socket	N/A	043-005-00
17	Adjuster Screw Spring	N/A	046-018-00

Service Replacement Parts

12" x 2" Brake Drum RT-80, ST-80, and DR-80



No.	Brake Part Description	AL-KO Part No.	Dexter Part No.
1	Oil Seal, 3700219BG	A568284	010-063-00
2	Inner Bearing Cone 25580	A363196	031-030-02
3	inner Bearing Cup 25520	363911	031-030-01
4	9/16" Oil Hub/Drum - 4.75" Pilot	1531065	N/A
4A	9/16" Grease Hub/Drum - 4.75" Pilot	1531064	N/A
4B	5/8" Oil Hub/Drum - 4.75" Pilot	1530058	N/A
4C	5/8" Grease Hub/Drum - 4.75" Pilot	1531067	N/A
5	Wheel Stud 9/16"-18	A363906	007-132-00
5A	Wheel Stud 5/8 x 3.00"-18	363910	007-115-00
6	Wheel Nut 9/16"-18 60° Cone	A363895	006-053-00
6A	Wheel Nut 5/8"-18 90° Cone	A363698	006-109-00
7	Outer Bearing Cup, 02420	363917	031-028-01
8	Outer Bearing Cone, 02475	A363604	031-028-02
9	Spindle Washer	568326	N/A
10	Spindle Nut	363257	006-176-00
11	Cotter Pin	363258	019-002-00
12	Grease Cap	A363419	021-039-00
13	Grease Cap (UL)	A363775	021-043-01
14	Rubbber Plug (UL)	568067	085-001-00
15	Oil Cap Assembly	AK363587	N/A
15A	O-Ring, Oil Cap	A568269 (included in AK363587)	N/A
15B	Oil Cap Plug	A568223 (included in AK363587)	N/A