

Date: July 23, 2018

Subject: AL-KO 12K Disc Brake Obsolescence

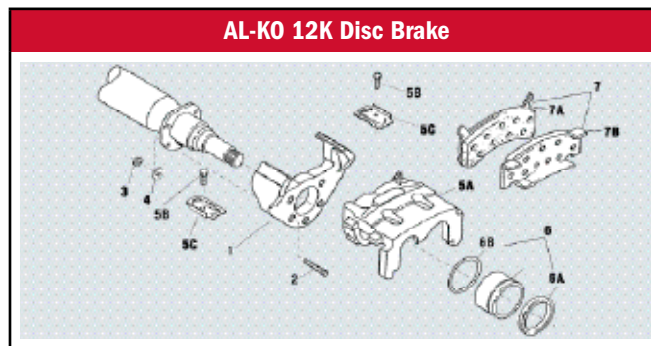
Ongoing product support is a key component to Dexter's commitment to strong customer service. Since the discontinuation of AL-KO Axis production axles in June of 2017, Dexter continues to support product in the field with the AL-KO Genuine Replacement Parts program or interchangeable Dexter components.

AL-KO produced a unique 12K disc brake that was used on the 10K HD and 12K sprung axle product lines. Component part availability has become challenged causing several key components to no longer be offered. Key components would be described as rotor, torque plate or caliper.

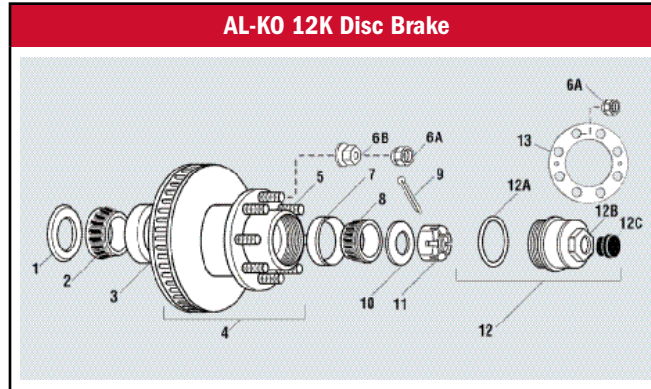
Moving forward, if the service or repair of any original AL-KO 12K disc brake requires the replacement of key components this will require the need for the complete end unit to be replaced using a Kodiak disc brake product. The Kodiak disc brake components are designed to fit and function on the AL-KO axle beam in place of the original. They are not designed to work in combination with existing AL-KO components. It is recommended that all brakes be replaced at the same time to ensure balanced braking performance.

Effective immediately, any depleted inventory of key components will require replacing the AL-KO 12K disc brake end unit with a Kodiak 12K disc brake end unit.

AL-KO to Kodiak disc brake component conversion table below:



Part List	Dexter Part Number	Description	Kodiak Part Number
1†	090-022-01	Torque Plate	CMB-11-10Q-HD-E ±
2*	007-461-00	Torque Plate Mounting Bolt	Use Dexter #
3*	006-129-01	Torque Plate Mounting Nut	Use Dexter #
4*	005-058-00	Washer	Use Dexter #
5†	K71-833-00	Caliper Kit - Right Hand	DBC-2250-E ±
5A	089-052-00	Caliper - RH	
5B	007-449-00	Bolt and Lock Washer	
5C	046-176-00	Plate Caliper	DBC-HD-CLIP-REPL ±
5†	K71-834-00	Caliper Kit - Left Hand	DBC-2250-E ±
5A	089-053-00	Caliper - RH	
5B	007-449-00	Bolt and Lock Washer	
5C	046-176-00	Plate Caliper	DBC-HD-CLIP-REPL ±
6	K71-866-00	Hydraulic Disc Caliper Repair Kit	Kit not available
6A	010-261-00	Caliper Boot	DBC-250-BOOT-SI
6B	010-260-00	Caliper Seal	DBC-250-SEAL
7	K71-866-00	Brake Pad Replacement Kit	DBC-2250-CERM-PAD
7A	091-018-00	Disc Pad Shoe and Lining - Inner	
7B	091-019-00	Disc Pad Shoe and Lining - Outer	



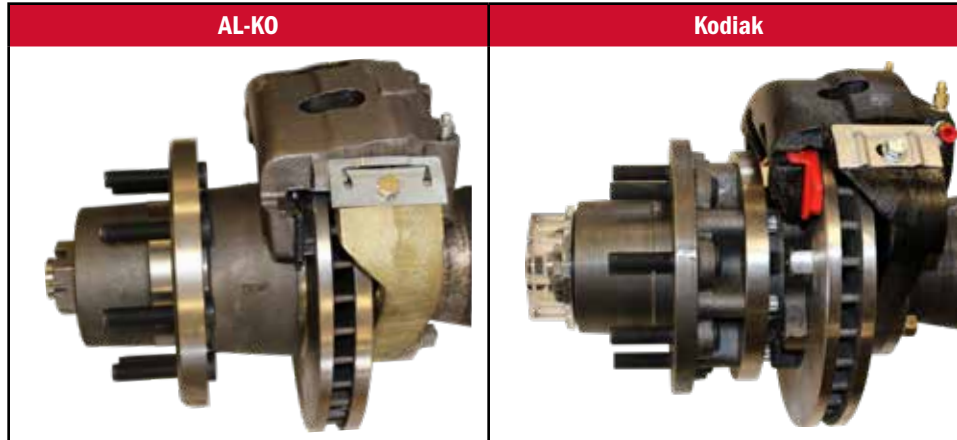
Part List	Dexter Part Number	Description	Kodiak Part Number
1*	010-056-00	Unitized Seal	Use Dexter #
2*	031-095-02 (JM511946)	Inner Bearing Cone	Use Dexter #
3*	031-095-01 (JM511910)	Inner Bearing Cup	Use Dexter #
4†	A09089421	Brake Rotor - Flat Faced	ROTOR-11-10Q ± & HUB-SPACER-120-SW ± (one of each and 8 of ROTOR-11&13-BOLT ± per side)
4†	A090814	Brake Rotor - Coined	Kit not available
5	007-362-00	Wheel/Rotor Mounting Stud	Rotor/Hub - LB3.165
6A*	006-109-00	90° Cone Nut	Use Dexter #
6B*	006-058-00	Flange Wheel Nut	Use Dexter #
7*	031-096-01 (JM205110)	Outer Bearing Cup	Use Dexter #
8*	031-096-02 (JM205149)	Outer Bearing Cone	Use Dexter #
9*	019-035-00	Cotter Pin	Use Dexter #
10*	005-224-00	Spindle Washer	Use Dexter #
11*	006-239-00	Spindle Nut	Use Dexter #
12*	K71-859-00	Plastic Oil Cap Assembly	Kit not available
12A	010-258-00	Oil Cap O-Ring	Q-10-14K-PCAP ±
12B	021-219-00	Oil Cap	
12C	085-017-00	Oil Cap Plug	Q-10KRUBBERPLUG ±
13	003-097-01	Wheel Clamp Ring for 5/8" Studs	Use Dexter #

Notes:

* Require the use of a Dexter component.

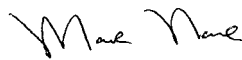
† Items are "key" components. None are interchangeable between AL-KO and Kodiak.

± Kodiak part numbers required to change out a wheel end.



Pictures represent examples of both AL-KO and Kodiak 12K disc end unit assemblies.

Please contact your Dexter Account Manager for additional questions, ordering information, and product availability.



Mark Nave
Market Manager