

Date: October 22, 2019

Subject: New product line-up for Dexter's DX7.5 Surge Actuators

Through in-depth evaluation of the surge brake product line-up and integrating the three great brands of Titan, UFP, and Tie Down Engineering into the Dexter family, Dexter is pleased to introduce the DX7.5 Surge Brake Actuator offering. Combining the best surge actuator features have resulted in the most extensive product offering. With this new outlined offering, Dexter is able to support customers' various applications through premium corrosive resistant options, durability, and easy to use coupler & breakaway systems.



DX7.5 - Drop-N-Go™



DX7.5 - Multi-fit

The Dexter DX7.5 surge actuator features the following:

- Two coupler options:
 - Drop-N-Go™ auto-latch coupler allows the coupler to seat and latch on the ball without having to manually unlatch the coupler.
 - Multi-Fit coupler allows for coupler to be used with 2", 50mm, or 1-7/8" hitch balls
- Aluminum master cylinder – drastically reduces corrosion when compared to cast steel master cylinders
- Grease fittings on rollers provide longer life and smoother operation
- Integrated reverse solenoid on disc brake models eliminates need for an additional housing to protect the reverse solenoid. The solenoid is strategically placed reducing the footprint needed.
- Available in zinc plated housing or black housing
- 7,500 lbs capacity
- Easy reset breakaway cable system

CONTENTS

Features & Benefits	1
<u>Replacement Models</u>	
Model 60 Lever-Lock	2
Model 60 Multi-Fit	2
Retail Box Kits	3
Additional Options	3
Mounting Diagrams	4
Service Parts	5-8

New Dexter DX7.5 Surge Actuators



Bulk Actuators		
Legacy TDE	Dexter No.	Description
70522	099-175-00	Drop-N-Go Auto Latch Coupler, Drum Brake, Zinc Plated
70521	099-175-20	Drop-N-Go Auto Latch Coupler, Disc Brake, Zinc Plated
07521B	099-175-2B	Drop-N-Go Auto Latch Coupler, Disc Brake, Black
N/A	099-176-00	Multi-Fit Coupler, Drum Brake, Zinc Plated
N/A	099-176-20	Multi-Fit Coupler, Disc Brake, Zinc Plated



Retail Boxed Actuators		
Legacy TDE	Dexter No.	Description
N/A	K99-175-00	Drop-N-Go Auto Latch Coupler, Drum Brake, Zinc Plated
N/A	K99-175-20	Drop-N-Go Auto Latch Coupler, Disc Brake, Zinc Plated
N/A	K99-175-2B	Drop-N-Go Auto Latch Coupler, Disc Brake, Black

Dexter is discontinuing the Titan Model 60 series surge actuators and upgrading customers to the Dexter DX7.5 surge actuator. Once supply is exhausted, customers will automatically be upgraded to the Dexter DX7.5.



Titan Model 60 Lever-Lock
Discontinued



Available now!
Dexter DX7.5
Formerly TDE 750E

Lever-Lock Coupler, Drum Brake Models				
Discontinued Models		Replacement Models		Replacement Model Description
Legacy Titan	Dexter No.	Legacy TDE	Dexter No.	Description
4332900	068-134-00	70522	099-175-00	Drop-N-Go Auto-latch Coupler, Zinc Plated
43329007K	068-134-01			Drop-N-Go Auto-latch Coupler, Zinc Plated

Lever-Lock Coupler, Disc Brake Models				
Discontinued Models		Replacement Models		Replacement Model Description
Legacy Titan	Dexter No.	Legacy TDE	Dexter No.	Description
4715400	068-196-00	70521	099-175-20	Drop-N-Go Auto-latch Coupler, Zinc Plated
47154007K	068-196-01			Drop-N-Go Auto-latch Coupler, Zinc Plated
4715410	068-196-02			Drop-N-Go Auto-latch Coupler, Zinc Plated
47154107K	068-196-03			Drop-N-Go Auto-latch Coupler, Zinc Plated
4715420	068-196-04			Drop-N-Go Auto-latch Coupler, Zinc Plated
47154207K	068-196-05			Drop-N-Go Auto-latch Coupler, Zinc Plated
N/A	N/A	70521B	099-175-2B	Drop-N-Go Auto-latch Coupler, Black

Dexter DX7.5 Surge Actuators



Titan Model 60 Multi-Fit
Discontinued



**Available
late 2019 /
early 2020!**

Dexter DX7.5 - Multi-fit

Multi-Fit Coupler, Drum Brake Models

Discontinued Models		Replacement Models	Replacement Model Description
Legacy Titan	Dexter No.	Dexter No.	Description
4339700	068-139-00	099-176-00	Multi-Fit Coupler, Zinc Plated
43397007K	068-139-01		Multi-Fit Coupler, Zinc Plated
4339720	068-139-02		Multi-Fit Coupler, Zinc Plated
4339900	068-140-00		Multi-Fit Coupler, Zinc Plated

Multi-Fit Coupler, Disc Brake Models

Discontinued Models		Replacement Models	Replacement Model Description
Legacy Titan	Dexter No.	Dexter No.	Description
4745700	068-202-00	099-176-20	Multi-Fit Coupler, Zinc Plated
47457007K	068-202-01		Multi-Fit Coupler, Zinc Plated
4745710	068-202-02		Multi-Fit Coupler, Zinc Plated
47457107K	068-202-03		Multi-Fit Coupler, Zinc Plated
47457207K	068-202-05		Multi-Fit Coupler, Zinc Plated
4819900	068-462-00		Multi-Fit Coupler, Zinc Plated

Dexter DX7.5 Retail Boxed Kits



Titan Model 60 Lever-Lock
Discontinued



Dexter DX7.5
Formerly TDE 750E

Lever-Lock Coupler, Drum Brake Models

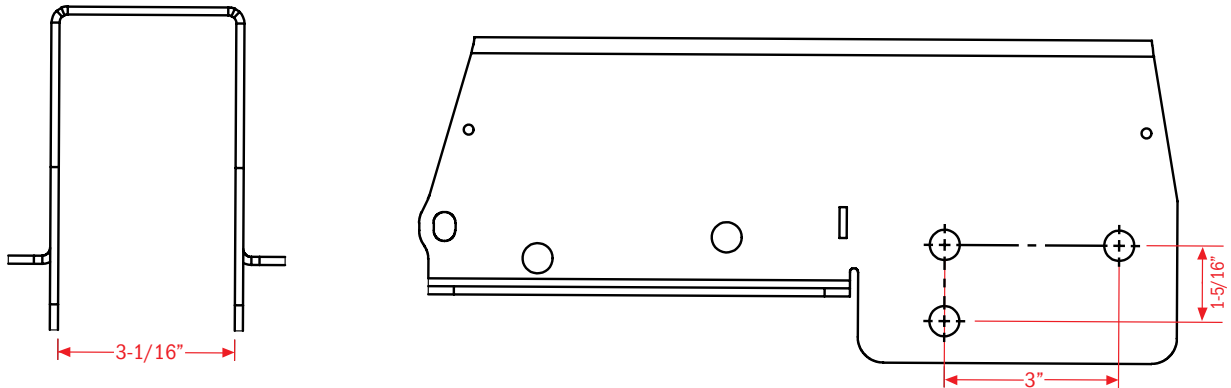
Discontinued Models		Replacement Models	Replacement Model Description
Legacy Titan	Dexter No.	Dexter No.	Description
43329007K	K68-134-01	K99-175-00	Drop-N-Go Auto-latch Coupler, Zinc Plated

Lever-Lock Coupler, Disc Brake Models

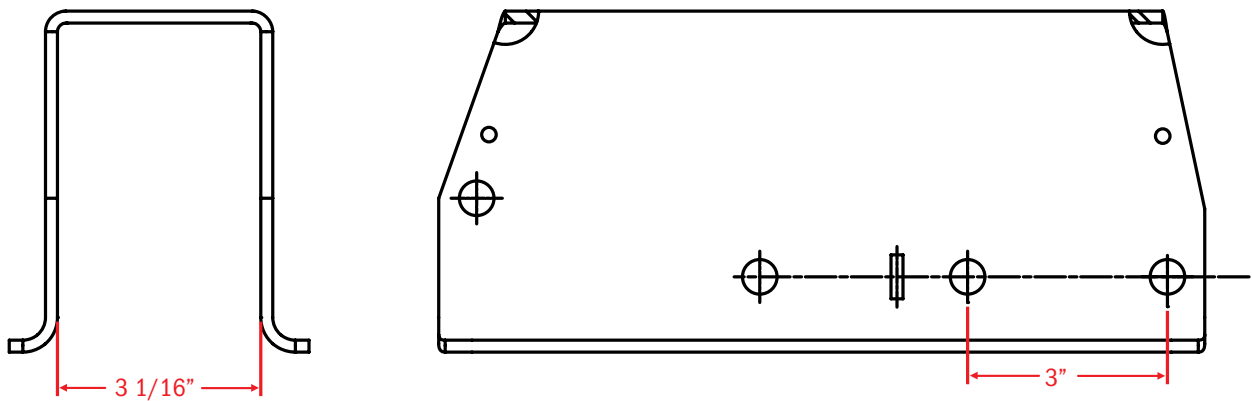
Discontinued Models		Replacement Models	Replacement Model Description
Legacy Titan	Dexter No.	Dexter No.	Description
47154007K	K68-196-01	K99-175-20	Drop-N-Go Auto-latch Coupler, Zinc Plated
47154207K	K68-196-05		Drop-N-Go Auto-latch Coupler, Zinc Plated
N/A	N/A	K99-175-2B	Drop-N-Go Auto-latch Coupler, Black

Fitment Measurements

Dexter DX7.5 (Formerly TDE 750E)



Titan Model 60 (Discontinued)



Service Part Kits Continued Offering- Dexter DX7.5 (Formerly TDE 750E)

Individual components are not available in bulk; components are only available in service part kits.



Master Cylinder Replacement Kit - Disc Brake

K68-672-00

Fits Legacy TDE 750E Actuators with Open Model

70461K

Dexter Part No.	Legacy TDE Part No.	QTY	Description
007-375-00	10518	4	BOLT 1/4-20" X 3/4"
005-079-00	10554	4	LOCK WASHER 1/4"
006-708-00	10661	2	LOCK NUT 1/2-20"
059-Z00-28	15638	1	LABEL "DISC BRAKE READY"
068-694-00	47245	2	ROLLER
007-606-00	47246	2	BOLT 1/2-20" x 4" WITH ZERK
068-658-00	70470-3	1	MASTER CYLINDER GASKET
068-657-00	70470-4	1	FILLER CAP - 1.25" OPENING
068-672-00	70475	1	MASTER CYLINDER ASSY DISC - OPEN MODEL



Master Cylinder Replacement Kit - Drum Brake

K68-720-00

Fits Legacy TDE 750E Actuators with Open Model

70461KD

Dexter Part No.	Legacy TDE Part No.	QTY	Description
007-375-00	10518	4	BOLT 1/4-20" X 3/4"
005-079-00	10554	4	LOCK WASHER 1/4"
006-708-00	10661	2	LOCK NUT 1/2-20"
059-Z00-57	15657	1	LABEL "NOT DISC BRAKE READY"
068-694-00	47245	2	ROLLER
007-606-00	47246	2	BOLT 1/2-20" x 4" WITH ZERK
068-658-00	70470-3	1	MASTER CYLINDER GASKET
068-657-00	70470-4	1	FILLER CAP - 1.25" OPENING
068-720-00	70475D	1	MASTER CYLINDER ASSY DRUM - OPEN MODEL



Master Cylinder Replacement Kit - Disc Brake

K68-671-00

Fits DX7.5 (750E) Actuators with Closed Model

70519K

Dexter Part No.	Legacy TDE Part No.	QTY	Description
007-628-00	10501	4	BOLT 1/4-20" X 3/4"
006-708-00	10661	2	LOCK NUT 1/2-20"
059-Z00-28	15638	1	LABEL "DISC BRAKE READY"
068-694-00	47245	2	ROLLER
007-606-00	47246	2	BOLT 1/2-20" x 4" WITH ZERK
068-572-00	48986A	1	FILLER CAP - 2.25" OPENING
068-671-00	70456	1	MASTER CYLINDER ASSY DISC - CLOSED MODEL
005-079-00	10554	4	LOCK WASHER 1/4"

Service Part Kits – Dexter DX7.5 (Formerly TDE 750E)

Individual components are not available in bulk; components are only available in service part kits.



Master Cylinder Kit – Drum Brake

K68-673-00

Fits DX7.5 (750E) Actuators with Closed Model

70519KD

Dexter Part No.	Legacy TDE Part No.	QTY	Description
007-628-00	10501	4	BOLT 1/4-20" X 3/4"
006-708-00	10661	2	LOCK NUT 1/2-20"
059-Z00-57	15657	1	LABEL "NOT DISC BRAKE READY"
068-694-00	47245	2	ROLLER
007-606-00	47246	2	BOLT 1/2-20" x 4" WITH ZERK
068-572-00	48986A	1	FILLER CAP – 2.25" OPENING
068-673-00	70458	1	MASTER CYLINDER ASSY DRUM - CLOSED MODEL
005-079-00	10554	4	LOCK WASHER 1/4"



Filler Cap – 2.25" Opening

K68-572-00

Fits DX7.5 (750E) Actuators with Closed Model

48986A

Dexter Part No.	Legacy TDE Part No.	QTY	Description
068-572-00	48986A	1	FILLER CAP – 2.25" OPENING



Filler Cap – 1.25" Opening

K68-657-00

Fits Legacy TDE 750E Actuators with Open Model

70470-4

Dexter Part No.	Legacy TDE Part No.	QTY	Description
068-657-00	70470-4	1	FILLER CAP – 1.25" OPENING



Reverse Lockout Solenoid

K54-240-00

Fits multiple models

11286

Dexter Part No.	Legacy TDE Part No.	QTY	Description
054-240-00	11286	1	REVERSE LOCKOUT SOLENOID



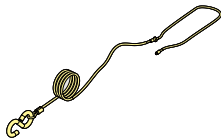
Gasket

K68-658-00

Fits Legacy TDE 750E Actuators with Open Model

70470-3

Dexter Part No.	Legacy TDE Part No.	QTY	Description
068-658-00	70470-3	1	GASKET



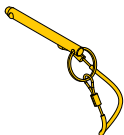
Breakaway Cable Assembly

K74-485-00

Fits DX7.5 (750E) Actuators

50317

Dexter Part No.	Legacy TDE Part No.	QTY	Description
074-485-00	50317	1	BREAKAWAY CABLE ASSEMBLY



Safety Latch Pin & Cable

K74-477-00

Fits DX7.5 (750E) Actuators

50301

Dexter Part No.	Legacy TDE Part No.	QTY	Description
074-477-00	50301	1	SAFETY LATCH PIN & CABLE

Service Part Kits - Titan/Dico Model 60

Individual components are not available in bulk; components are only available in service part kits.



Master Cylinder Replacement Kit - Drum Brake

K68-085-00

Fits Titan/Dico Model 60 Surge Actuators

4395100

Dexter Part No.	Legacy Titan Part No.	QTY	Description
068-085-00	2336100042	1	Master Cylinder - Drum
068-147-00	4480701	1	Master Cylinder Cap
068-093-00	2356600	1	Master Cylinder Cover
068-091-00	2341400	1	Gasket
068-350-00	1209800	1	Fitting - 1/64" Orifice
007-375-00	1050800	4	Hex Bolt
005-204-00	794000	4	Lock Washer



Master Cylinder Replacement Kit - Disc Brake

K68-195-00

Fits Titan/Dico Model 60 Surge Actuators

4820000

Dexter Part No.	Legacy Titan Part No.	QTY	Description
068-195-00	4714200042	1	Master Cylinder - Disc
068-147-00	4480701	1	Master Cylinder Cap
068-093-00	2356600	1	Master Cylinder Cover
068-091-00	2341400	1	Gasket
068-350-00	1209800	1	Fitting - 1/64" Orifice
007-375-00	1050800	4	Hex Bolt
005-204-00	794000	4	Lock Washer



Coupler Repair Kit - Multi-Fit Coupler

K74-325-00

Fits Titan/Dico Model 60 Surge Actuators

4045400

Dexter Part No.	QTY	Description
068-099-01	1	Hand Wheel
068-088-00	1	Multi-Fit Handwheel Lock
068-514-00	1	Ball Latch Jaw Casting
074-376-00	1	Bracket Retainer
007-478-00	1	Bolt, Hex, 1/2-13"
046-190-00	1	Ball Latch Compression Spring
006-453-00	1	Lock Nut
007-380-00	1	Screw, Hex, Lock 7/16-20"
006-257-00	1	Nut, Hex, Lock, 7/16-20"



Coupler Repair Kit - Lever-Lock

K74-326-00

Fits Titan/Dico Model 60 Surge Actuators

4358400

Dexter Part No.	QTY	Description
068-143-00	1	Lever-Lock Handle Assembly
068-514-00	1	Ball Latch Jaw Casting
074-193-00	1	Spring, Short, Coil
046-190-00	1	Ball Latch Compression Spring
006-271-00	1	Nut, Hex, Lock 1/2-20"
007-380-00	1	Screw, Hex, Lock 7/16-20"
006-257-00	1	Nut, Hex, Lock, 7/16-20"

Service Part Kits - Titan/Dico Model 60

Individual components are not available in bulk; components are only available in service part kits.



Filler Cap

K68-147-00

Fits Titan/Dico Model 60 Surge Actuators

4480701

Dexter Part No.	Legacy Titan Part No.	QTY	Description
068-147-00	4480701	1	Filler Cap



Reverse Lockout Solenoid

K68-213-00

Fits Titan/Dico Model 60 Surge Actuators

4748800

Dexter Part No.	Legacy Titan Part No.	QTY	Description
068-213-00	4748800	1	Reverse Lockout Solenoid



Solenoid Cover

K68-414-01

Fits Titan/Dico Model 60 Surge Actuators

4835800183

Dexter Part No.	Legacy Titan Part No.	QTY	Description
068-414-01	4835800	1	Solenoid Cover



Breakaway Cable Assembly

K68-188-00

Fits Titan/Dico Model 60 Surge Actuators

4623800

Dexter Part No.	Legacy Titan Part No.	QTY	Description
068-188-00	4623800	1	Breakaway Cable Assembly



Connector Fitting - Drum Brake - 1/64" Orifice

K68-350-00

Fits Titan/Dico Model 60 Surge Actuators

1209800

Dexter Part No.	Legacy Titan Part No.	QTY	Description
068-350-00	1209800	1	Connector Fitting - Drum Brake



Connector Fitting - Disc Brake

K68-221-00

Fits Titan/Dico Model 60 Surge Actuators

4750300

Dexter Part No.	Legacy Titan Part No.	QTY	Description
068-221-00	4750300	1	Connector Fitting - Disc Brake



Shock Absorber

K71-129-00

Fits Titan/Dico Model 60 Surge Actuators

2336200

Dexter Part No.	Legacy Titan Part No.	QTY	Description
053-012-00	2336200	1	Shock Absorber

Please contact your account manager for additional details, ordering, availability, or other questions. Not all products may be available at all plants.

Dexter – Atlanta

5600 Bucknell Drive
Atlanta, Georgia 30336
(404) 477-6899
csdexter23@dexteraxle.com

Dexter – San Marcos

135 Sunshine Lane
San Marcos, California 92069
(760) 744-1610
csdexter24@dexteraxle.com

Dexter – Winchester

1041 Baxter Lane
Winchester, Tennessee 37398
(931) 967-5101
csdexter25@dexteraxle.com

A handwritten signature in black ink, appearing to read 'Jay Klinkerman'.

Jay Klinkerman
Market Manager