

Date: March 8, 2021

Subject: DexAir Medium Duty Air Suspension System

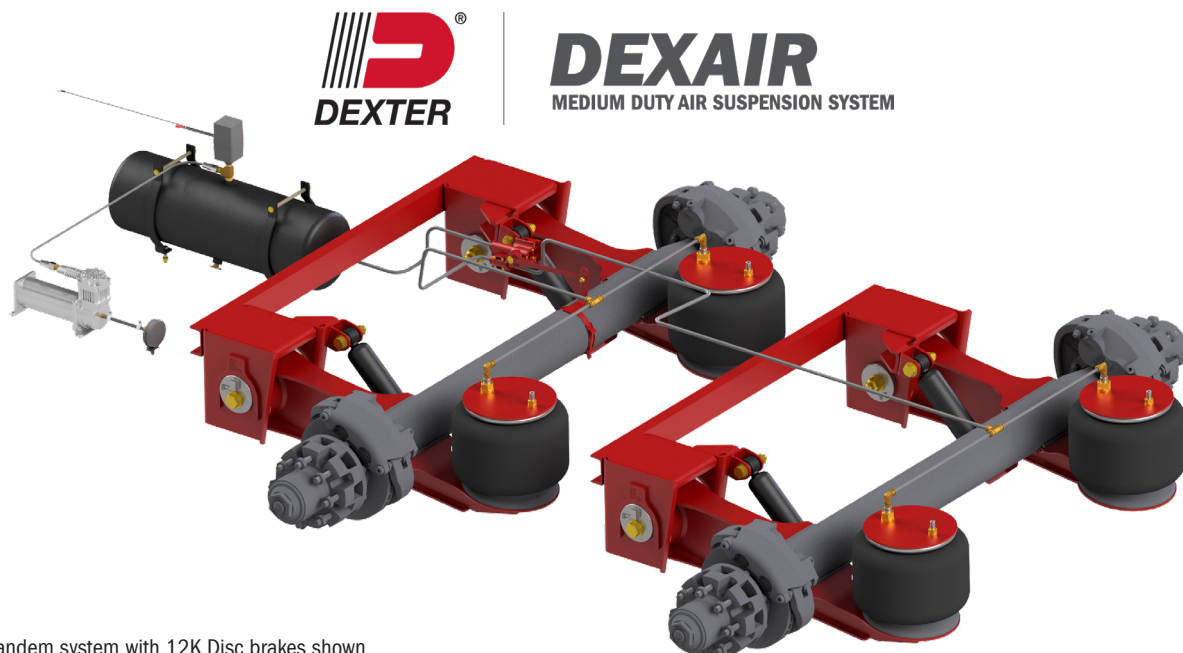
Dexter is pleased to introduce the DexAir Medium Duty Air Suspension System. The DexAir is designed and tested to be included within Dexter's medium duty product line; D100G, D100D, D120 and D150. The DexAir provides customers with the best in ride quality and backed by Dexter's industry leading warranty and support.

The DexAir is available on all 5" tube axles including any brake type with a carrying capacity of up to 15,000 lbs. The robust trailing arms are precisely located with the Dexter pivot bolt cam alignment system, each DexAir system is delivered complete and ready to be installed to the chassis, i.e. reducing installation labor and liability.

DexAir can also be supplied as a loose system to allow OEMs the flexibility to install different types of suspension systems on their Dexter beam and brake axles.

Features of the DexAir Medium Duty Air Suspension System include:

- Offered as factory integrated system or loose components to be installed by the customer
- Superior ride quality provided from air suspension
- 6" ride height standard (see figure 1)
- Ride height maintained by a height control valve (see figure 2)
- Alignment adjustment up to 3/4", maximizing tire life (see figure 3)
- Robust pivot bushing includes a steel sleeve encased by rubber, a proven industry design
- Pressurized Heavy Duty shocks utilized to improve ride quality
- Equalizes load between axles; avoiding individual axle overload
- Air Supply kits includes air compressor, air tank, and air lines
- Available for Tandem or Triple axle systems
- 5-year warranty on the axle/suspension; 2-year warranty on air generation



Tandem system with 12K Disc brakes shown

Figure 1: Superior ride supplied through 5-1/8" of overall suspension travel.

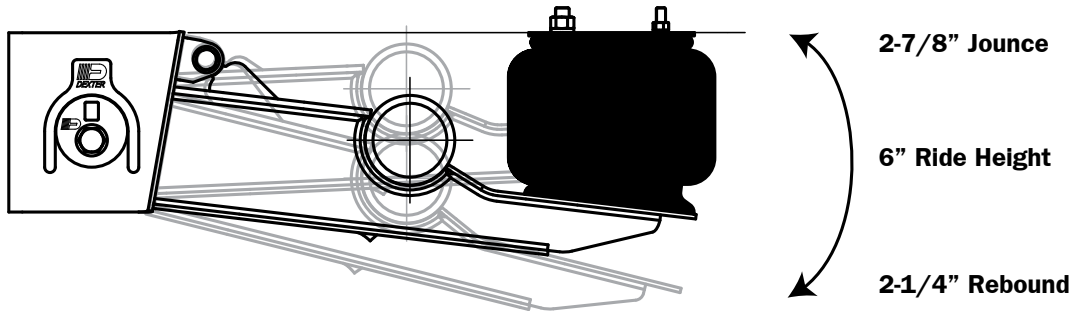


Figure 2: Ride height control valve - maintains 6" of ride height .

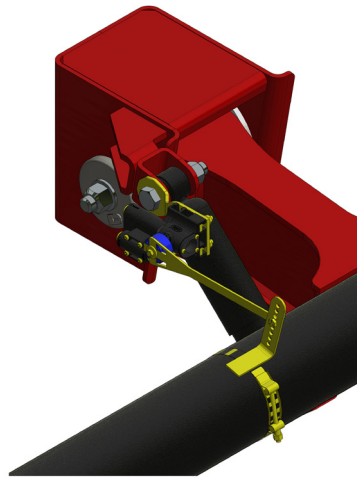
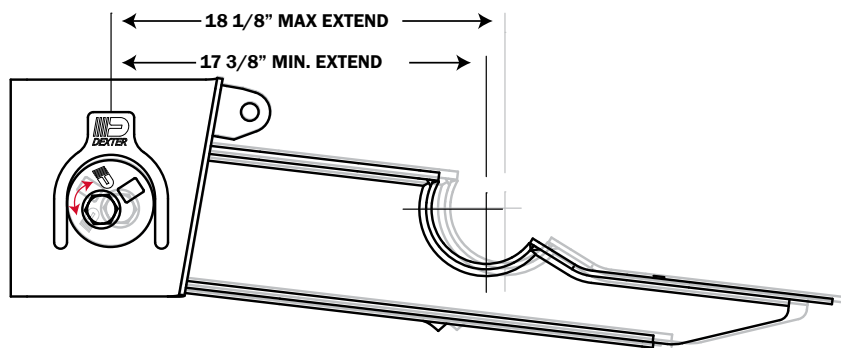


Figure 3: Axle alignment - offset cam bushing pivot allows 3/4" of axle movement per side.



Please contact your Dexter Account Manager for additional information and questions.

Mark Nave
Market Manager