



Date: May 28th, 2021

Subject: D30 Obsolescence

Due to low demand, Dexter has decided to discontinue the D30 axle line. As components become depleted, the D30 axle assemblies will cease. Service replacement parts will continue to be available (see attached breakdown).

Once axle production ends, customers will be required to replace the axle assembly(s) with Dexter's D35 axle model. When replacing just one axle on a tandem or multi-axle trailer, customers should utilize the same spring type and capacity to match the D30 axle to maintain ride quality.

To obtain replacement axle information, contact Dexter with the D30 axle serial number. The serial number is engraved on the axle tubing on the rear-center. It also can be found on the axle label adhered to the axle tubing in the same area.

The D30 axle utilizes a unique spindle and 10" x 1-1/2" electric brake with a mating hub-drum that cannot interchange with components from a Dexter D35 10" x 2-1/4" electric brake or hub-drums. End users should only use replacement parts designated for the D30 10" x 1-1/2" electric brake and hub-drums while doing service work. Mismatching of components may cause poor performance or failure.

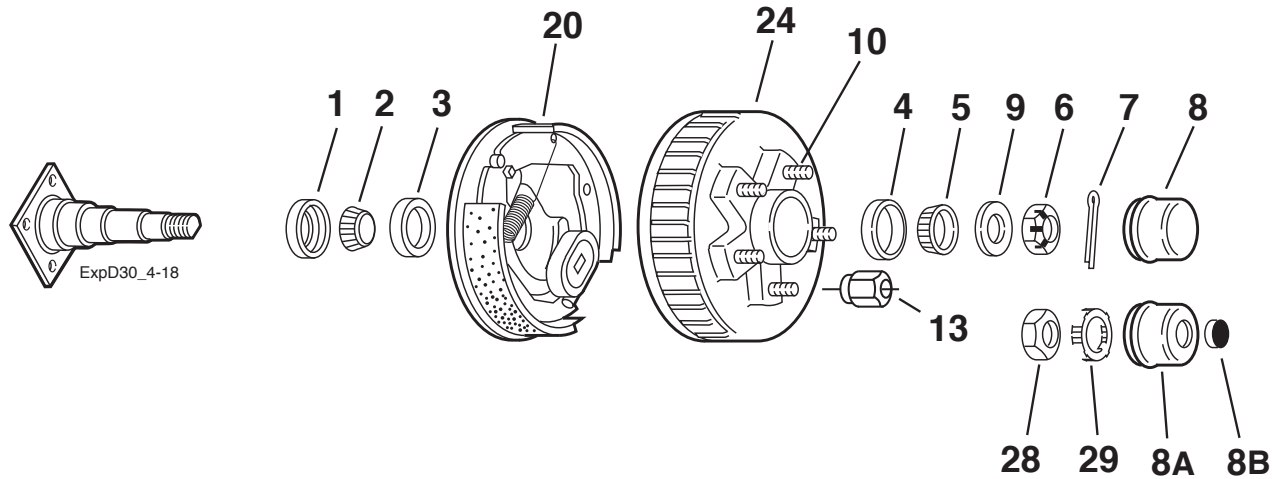
Please contact your Dexter account manager for additional information or questions that you may have.

Mark Nave
Market Manager

545 Hub Group - For D30/ #10L



Service Parts Only



Grease Lube Parts		
Item	Part No.	Description
1	010-019-00	Grease Seal for E-Z Lube®
2	031-032-02	LM67048 Inner Bearing Cone
3	031-032-01	LM67010 Inner Bearing Cup
4	031-031-01	L44610 Outer Bearing Cup
5	031-031-02	L44649 Outer Bearing Cone
6	006-176-00	Spindle Nut
7	019-002-00	Cotter Pin
8	021-003-00	Grease Cap
8A	021-041-01	Grease Cap for E-Z Lube®
8B	085-001-00	Rubber Plug for E-Z Lube®
9	005-023-00	Spindle Washer
28	006-191-00	Special Jam Nut for E-Z Lube® (after 2002)
29	006-190-00	Spindle Nut Retainer for E-Z Lube® (after 2002)

10" x 1-1/2" Brakes		
Item	Part No.	Description
20	K23-472-00/K23-473-00	LH/RH Electric
20	K23-476-00/K23-477-00	LH/RH Nev-R-Adjust®

Note: Spindle is not available for resale.

Hubs			
Item	Part No.	Description	Bolt Circle
Hubs and Drums			
24	008-418-02	½" Stud	5 on 4.50

Hub Kits		
Item	Part No.	Description
n/a	K08-418-90	Hub-Drum Kit for 3K axle, 5-4.50 BC standard grease cap
n/a	K08-418-91	Hub-Drum Kit for 3K axles, 5-4.50 BC E-Z Lube grease cap.

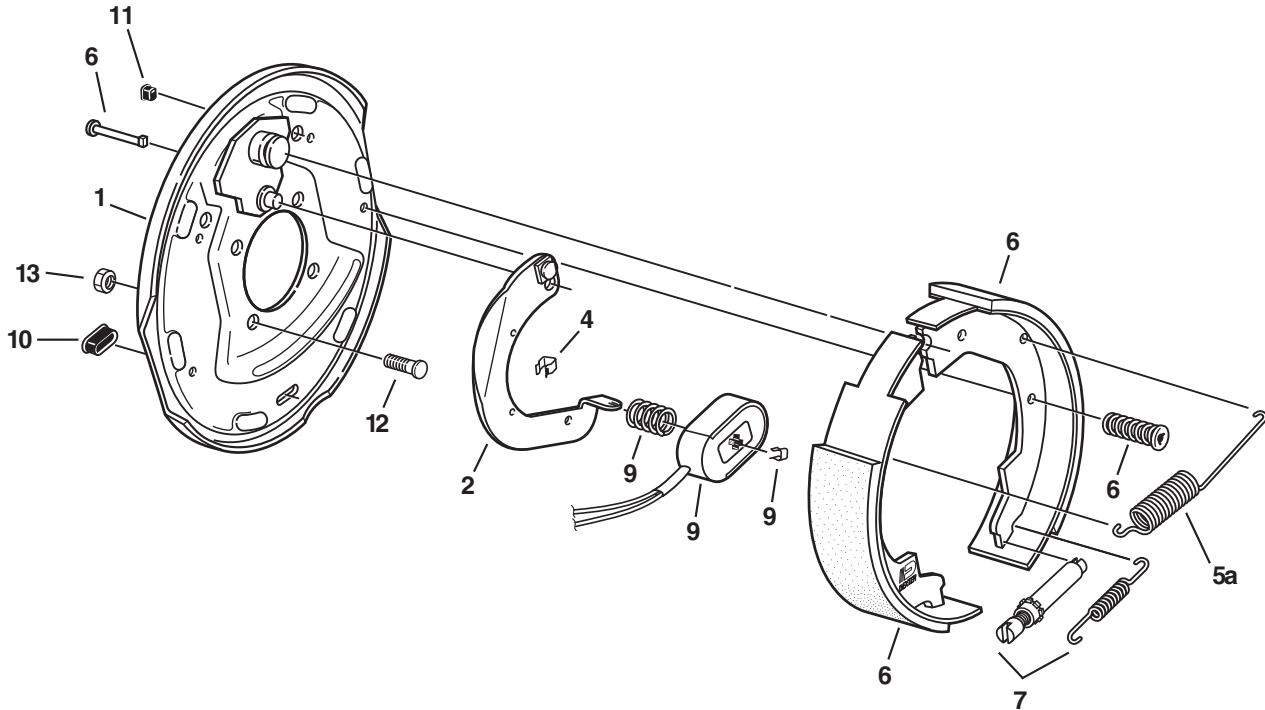
Studs & Wheel Nuts		
Item	Part No.	Description
10	007-185-00	½-20 Pressed Wheel Stud
13	006-080-00	½-20 60° Cone Nut

10" x 1-1/2" 3,000 lbs. Electric Brake



Service Parts Only

CSA approved at 3000 lbs. / 13.1 SLR

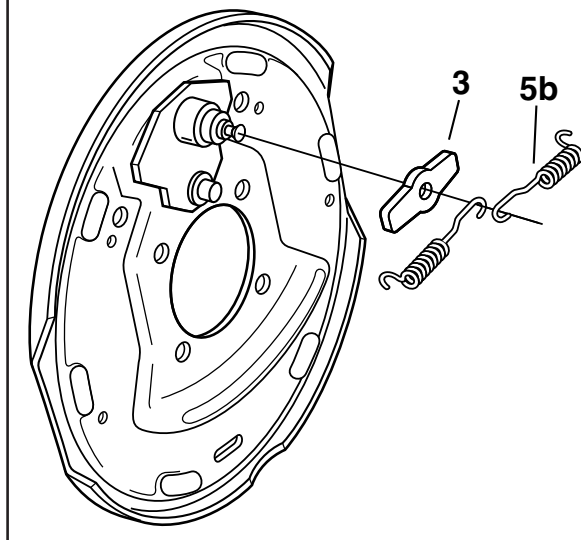


Electric Brake 3000 lbs.

Item	Part No.	Qty/Brk	Description
0	K23-472-00	1	LH Complete Brake Assembly (shown)
0	K23-473-00	1	RH Complete Brake Assembly
1	036-134-03	1	Backing Plate Assembly
2	047-019-05	1	LH Actuating Lever Arm
2	047-020-05	1	RH Actuating Lever Arm
3	005-067-00	1	Washer (before 3/18)
4	027-005-00	2	Wire Clip
5	K71-363-00	1	Retractor Spring Kit Contains: 1 046-056-00 Retractor Spring (after 3/18) 2 046-009-00 Retractor Spring (before 3/18)
6	K71-046-00	1	Shoe & Lining Kit Contains: 2 035-001-00 Shoe Hold Down Cup 1 040-129-00 Primary Shoe & Lining 1 040-130-00 Secondary Shoe & Lining 2 046-006-00 Shoe Hold Down Spring 2 049-009-00 Shoe Hold Down Pin "T"
7	K71-324-00	1	Adjuster Screw Kit Contains: 1 043-004-00 Adjuster Assembly 1 046-018-00 Adjusting Screw Spring
9	K71-104-00	1	Magnet Kit Contains: 1 042-140-00 Magnet (green wire) 1 027-009-00 Magnet Clip 1 046-080-00 Magnet Spring (before 7/16) 1 046-175-00 Magnet Spring (after 7/16)
10	046-007-00	2	Adjuster Slot Plug
11	046-016-00	1	Wire Grommet
12	007-041-00	4	Brake Mounting Bolt - Press-in
*13	006-017-01	4	Brake Mounting Nut

* Not included with complete brake assembly. Item sold separately.

Before 3/18: Dual Retractor Spring Components

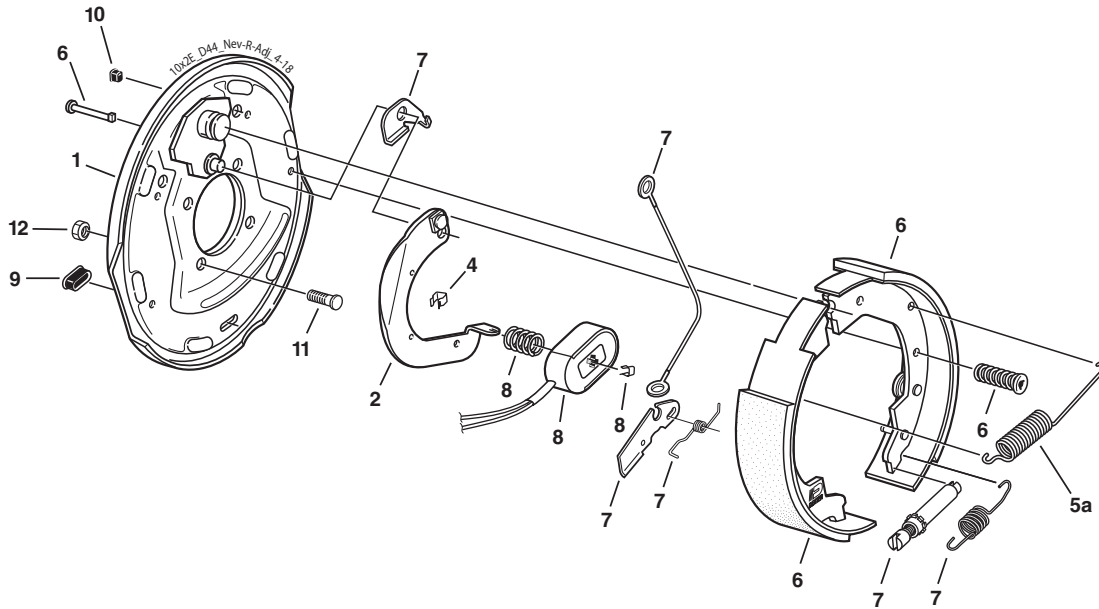


10" x 1-1/2" 3,000 lbs. Nev-R-Adjust® Electric Brake



Service Parts Only

CSA approved at 3000 lbs. / 13.1 SLR



Electric Brake 3000 lbs.

Item	Part No.	Qty/Brk	Description
0	K23-476-00	1	LH Complete Brake Assembly (shown)
0	K23-477-00	1	RH Complete Brake Assembly
1	036-134-03	1	Backing Plate Assembly (after 3/18)
2	047-019-00	1	LH Actuating Lever Arm
2	047-020-00	1	RH Actuating Lever Arm
3	005-067-00	1	Washer (before 3/18)
4	027-005-00	2	Wire Clip
5	K71-363-00	1	Retractor Spring Kit Contains: 1 046-056-00 Retractor Spring (after 3/18) 2 046-009-00 Retractor Spring (before 3/18)
6	K71-701-00	1	LH Shoe & Lining Kit Contains: 1 040-129-00 Primary Shoe & Lining 1 040-375-00 Secondary Shoe & Lining 2 049-009-00 Shoe Hold Down Pin T 2 046-006-00 Shoe Hold Down Spring
6	K71-702-00	1	RH Shoe & Lining Kit Contains: 1 040-129-00 Primary Shoe & Lining 1 040-376-00 Secondary Shoe & Lining 2 049-009-00 Shoe Hold Down Pin T 2 035-001-00 Shoe Hold Down Spring & Cup
7	K71-703-00	1	LH & RH Brake Adjuster Kit Contains: 2 046-139-00 Adjusting Screw Spring 1 046-140-00 LH Lever Spring 1 046-141-00 RH Lever Spring 1 048-022-00 LH Adjuster Assembly 1 048-023-00 RH Adjuster Assembly 2 071-529-00 Hook for Cable 1 071-532-01 LH Adjusting Lever 1 071-532-02 RH Adjusting Lever 2 071-533-00 Adjuster Cable 1 071-655-01 LH Cable Lever 1 071-655-02 RH Cable Lever 2 071-656-00 Adjuster Cable
8	K71-104-00	1	Magnet Kit Contains: 1 042-140-00 Magnet (green wire) 1 027-009-00 Magnet Clip 1 046-080-00 Magnet Spring (before 7/16) 1 046-175-00 Magnet Spring (after 7/16)
9	046-007-00	2	Adjuster Slot Plug
10	046-016-00	1	Wire Grommet
11	007-041-00	4	Brake Mounting Bolt - Press-in
*12	006-017-01	4	Brake Mounting Nut

* Not included with complete brake assembly. Item sold separately.

Before 3/18: Dual Retractor Spring Components

