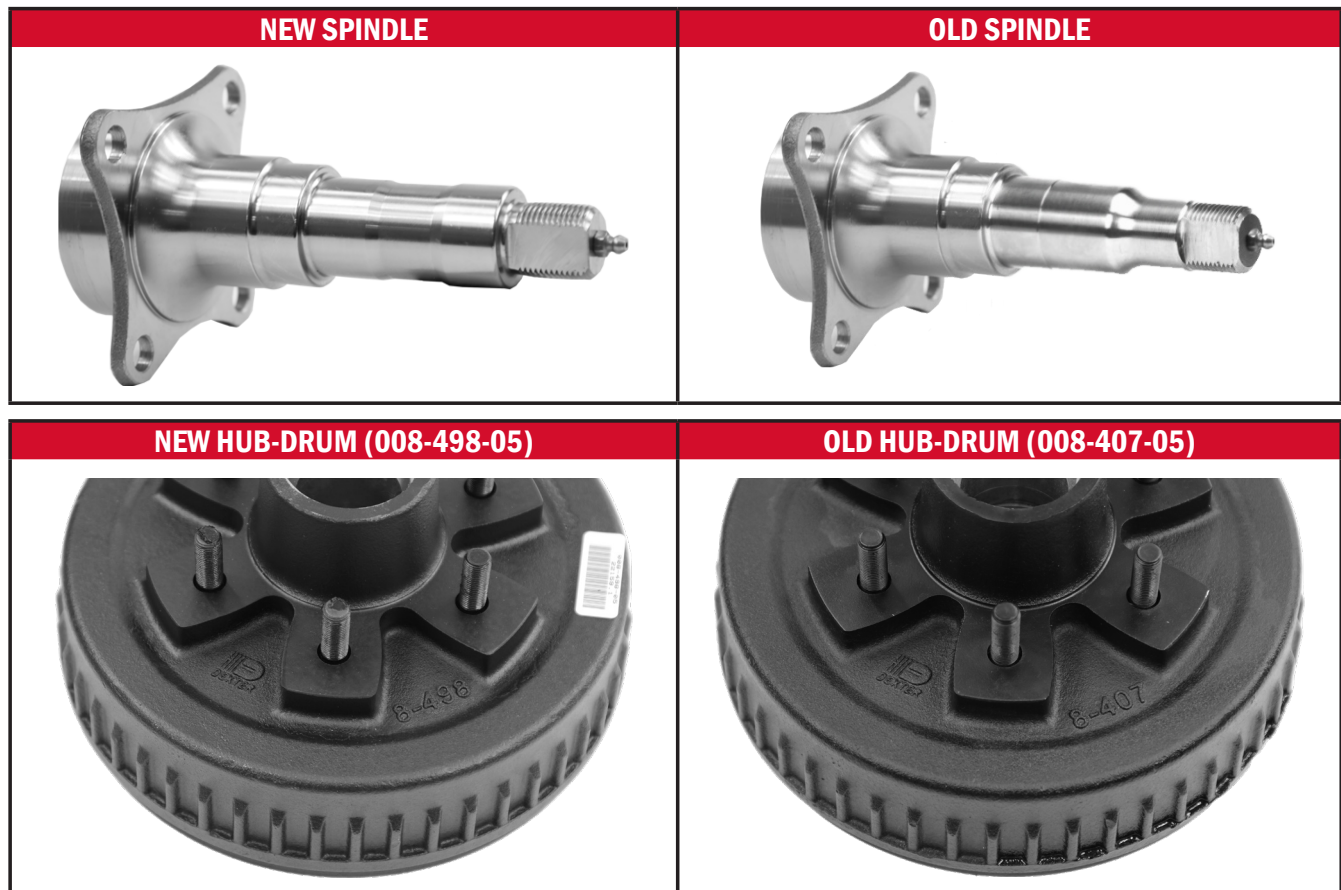


Date: July 18, 2022

**Subject: D44 Wheel-end System Redesign**

Dexter is pleased to announce a redesign of the D44 wheel-end system featuring three new components - a redesigned spindle, hub-drum, and bearing set. The spindle features a parallel design allowing for larger bearings that are the same size, giving customers a more robust wheel-end compared to its previous tapered design. A new hub-drum is also required to fit the larger bearing set. These hub-drums will have specific casting numbers as shown below to differentiate between the new and old systems.

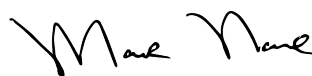


This is a running change that will begin immediately. It is important to remember that while both designs utilize similar components, **they are not interchangeable**. Before any service work is performed on a D44 axle, it is essential to locate and identify the hub-drum casting number. This number will help differentiate between the new and old designs.

Lubrication offerings will remain the same, including standard or E-Z Lube® grease options using a straight spindle on 3" O.D. axle tubing.

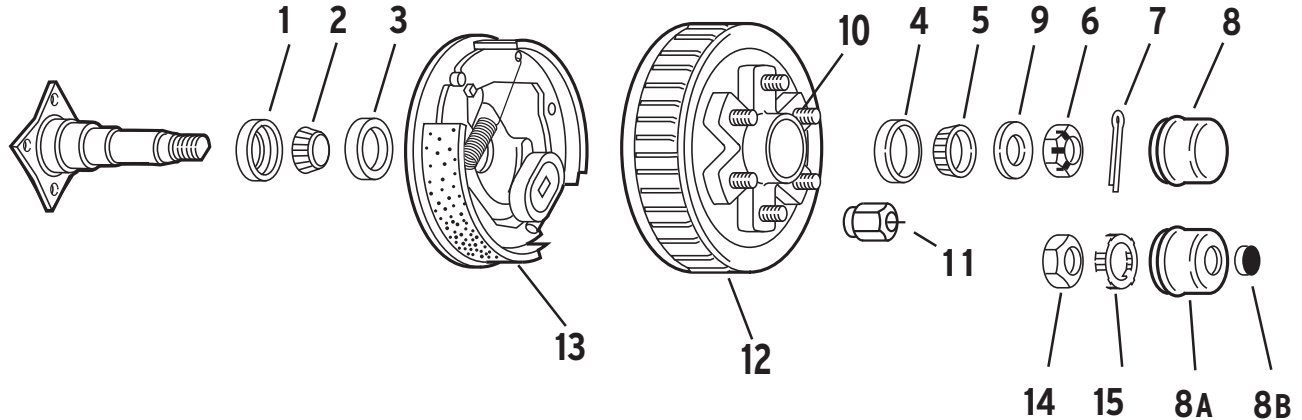
Customers seeking service replacement components for new or old designs should review the next page. Dexter will continue to support replacement parts for the tapered design in the field.

Please contact your Dexter account manager for additional information and further assistance.



Mark Nave  
Product Manager

## D44 Hub Group



### After June 2022

#### Grease Lube Parts

Item	Part No.	Description
1	010-019-00	Grease Seal for E-Z Lube®
2/5	031-033-02	L68149 Bearing Cone
3/4	031-033-01	L68111 Bearing Cup
8	021-001-00	Grease Cap
8A	021-042-01	Grease Cap for E-Z Lube®
8B	085-001-00	Rubber Plug for E-Z Lube®
9	005-023-00	Spindle Washer
14	006-191-00	Special Jam Nut for E-Z Lube® (after 2002)
15	006-190-00	Spindle Nut Retainer for E-Z Lube® (after 2002)

#### Hubs

Item	Part No.	Description	Bolt Circle
12	008-498-05	1/2" Stud	6 on 5.50

### Before June 2022

#### Grease Lube Parts

Item	Part No.	Description
1	010-019-00	Grease Seal for E-Z Lube®
2	031-033-02	L68149 Inner Bearing Cone
3	031-033-01	L68111 Inner Bearing Cup
4	031-032-01	LM67010 Outer Bearing Cup
5	031-032-02	LM67048 Outer Bearing Cone
6	006-176-00	Spindle Nut
7	019-002-00	Cotter Pin (not used with E-Z Lube®)
8	021-001-00	Grease Cap
8A	021-042-01	Grease Cap for E-Z Lube®
8B	085-001-00	Rubber Plug for E-Z Lube®
9	005-023-00	Spindle Washer
14	006-191-00	Special Jam Nut for E-Z Lube® (after 2002)
15	006-190-00	Spindle Nut Retainer for E-Z Lube® (after 2002)

#### Hubs

Item	Part No.	Description	Bolt Circle
12	008-407-05	1/2" Stud	6 on 5.50

## Common Components

#### Studs & Wheel Nuts

Item	Part No.	Description
10	007-122-00	1/2-20 x 1.99" long Press-In Stud*
11	006-080-00	1/2-20 60° Cone Nut

\*Stud length measured under lead to end of stud

Note: Spindle is not available for resale.

#### 10" x 2-1/4" Brakes

Item	Part No.	Description
13	K23-462-00	LH Electric (After 5/1/09)
13	K23-463-00	RH Electric (After 5/1/09)
Not Shown	K23-454-00	LH Electric (Before 5/1/09)
Not Shown	K23-455-00	RH Electric (Before 5/1/09)