



PRODUCT BULLETIN #466

Date: August 26, 2022

Subject: Dex-Treme D160 Genuine 16,000 lbs. Solution

Dexter is pleased to announce the addition of a genuinely rated 16,000 lbs. axle solution, Dex-Treme D160.

Maximize your Class 7 Towing capacity trailer with Dex-Treme D160! All components are rated at a bona fide 16,000 lbs., increasing service life. Built on a solid foundation with HDSS and DexAir suspensions, Dex-Treme D160 is the rugged option you can trust. Systems are available with both electric drum brakes and our new premium disc brake option. Backed by Dexter's 5-year warranty and thoroughly tested, Dex-Treme is a ride you can depend on.

FEATURES & BENEFITS:

- A complete package - controlled manufacturing for the entire axle model, supported by one company
- Axle, braking, and suspension built by Dexter, ensuring you have a trusted, reliable, American-made, and highly tested product
- American-made running gear that has been rigorously tested under extreme conditions to ensure safety and stopping power
- Dexter's molded drum brake linings and disc brake pads increase service life and outlast our competitors' similar products
- Dexter manufactures brake components in Albion, IN, under ISO 9001 Certified Production Environment, ensuring the reliability of stopping when it matters most
- Increased towing capacities to meet your customer's needs

For more information on features and benefits, please visit www.dexteraxle.com/dex-treme.

DEX-TREME D160 PRODUCT SPECIFICATIONS:

- **Specific part information breakdowns are on the next three pages**
- 5" x .44" Round Tube
- Straight Spindle with Standard 7-bolt Dexter brake flange
- Oil or Grease Lubrication with Aluminum screw-in cap
- Single, tandem, or triple systems
- Pre-Wiring upgrade available with electric brakes
- Compatible with dual-wheel applications using 8 on 275mm wheel bolt pattern & 221mm hub pilot

SUSPENSION OPTIONS:

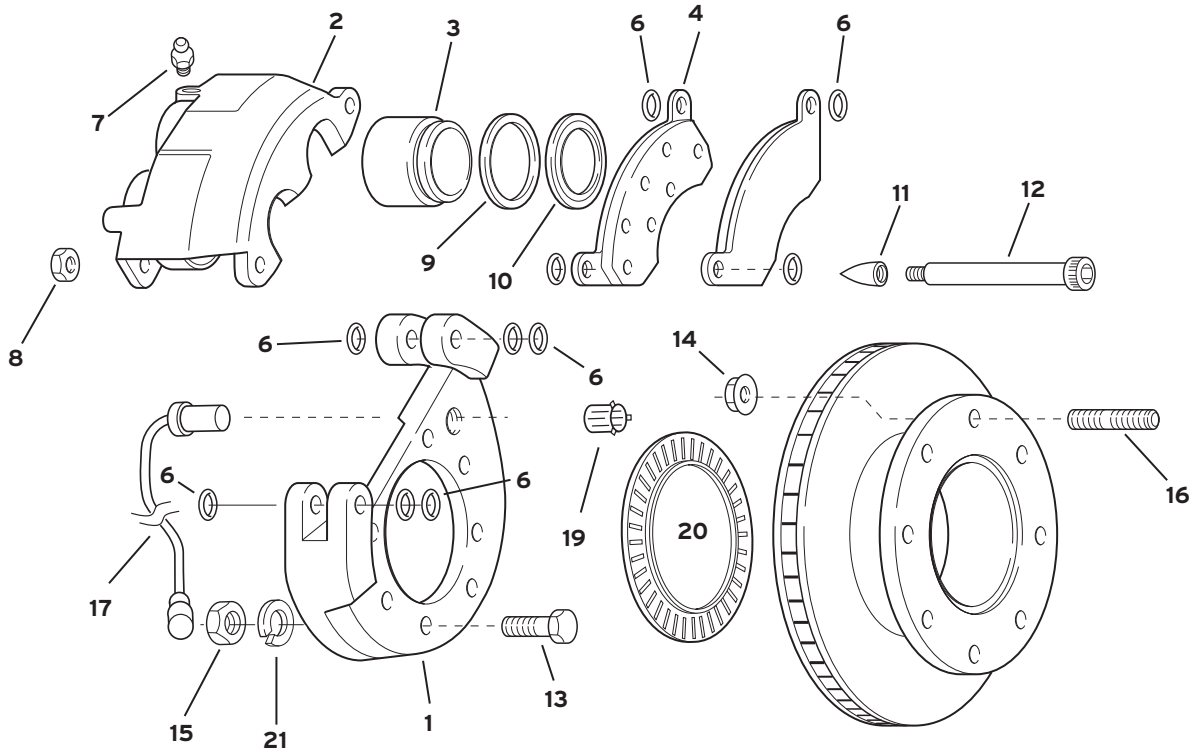
SPECIFICATIONS	HDSS	DEXAIR
Axle Spacing	49" only	49" minimum
Ride Height	Underslung or Overslung (conventional or inverted u-bolts)	6" ride height
Pre-Installed Suspensions	Adjustable suspension	Air Ride Suspension, air supply also available
Overhang Measurements	Track minus Spring Center	Track minus Outside of Bracket
Min. Overhang	29.00"	24.50"
Max. Overhang	33.00"	41.69"

Note: Specifications are calculated with a 17.5" dual tire & wheel combination

Please contact your Dexter account manager for additional information and further assistance.

Mark Nave
Product Manager

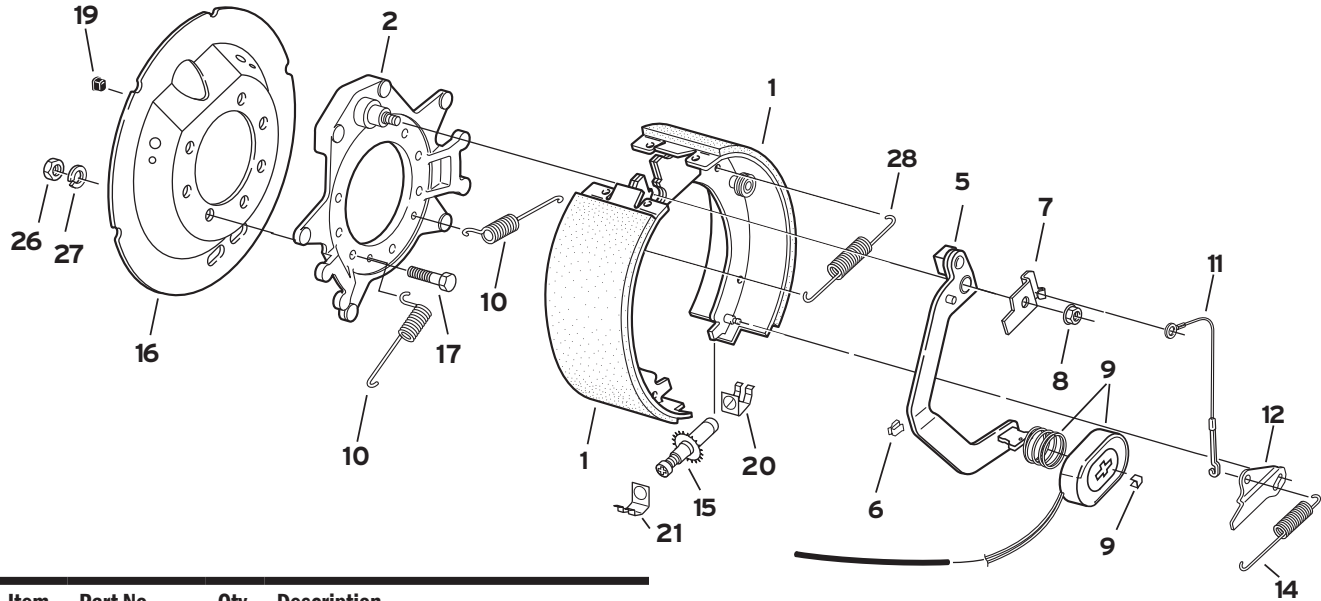
Dex-Treme D160 Hydraulic Disc Brake



Item	Part No.	Qty	Description
1	090-002-02	1	Anchor Yoke Assembly (includes 6 of item #6)
2	089-002-02	1	Caliper Assembly (includes items #6, 3, 9, 10)
3	054-066-00	2	Caliper Piston
12	007-186-00	2	Shoulder Screw 5/8 x 5
13	007-116-00	7	Hex Screw 7/16-20 x 1.75
14	006-046-00	8	Flange Nut
15	006-017-00	7	Hex Nut 7/16-20
16	025-014-00	8	Rotor Mounting Stud
17	097-004-00	1	ABS Sensor (straight)
19	097-002-00	1	ABS Sensor Retaining Clip
20	024-203-00	1	ABS Tone Ring
21	005-008-00	7	Lock Washer
	K71-181-00	1	Caliper Repair Kit Contains:
6		4	"O" Ring (010-062-00)
7		1	Bleeder Screw (054-069-00)
9		2	Caliper Seal (054-067-00)
10		2	Dust Boot (054-068-00)
	K71-180-00	1	Disc Brake Replacement Pad Kit Contains:
4		4	Brake Pad (091-003-00)
5		4	Anti-Rattle Spring (046-105-00)
6		20	"O" Ring (010-062-00)
8		4	Hex Locknut (006-125-00)
11		1	Installation Tool (071-182-00)

NOTE: D160 HUBS AND D150 HUBS AND HUB COMPONENTS ARE NOT INTERCHANGEABLE.

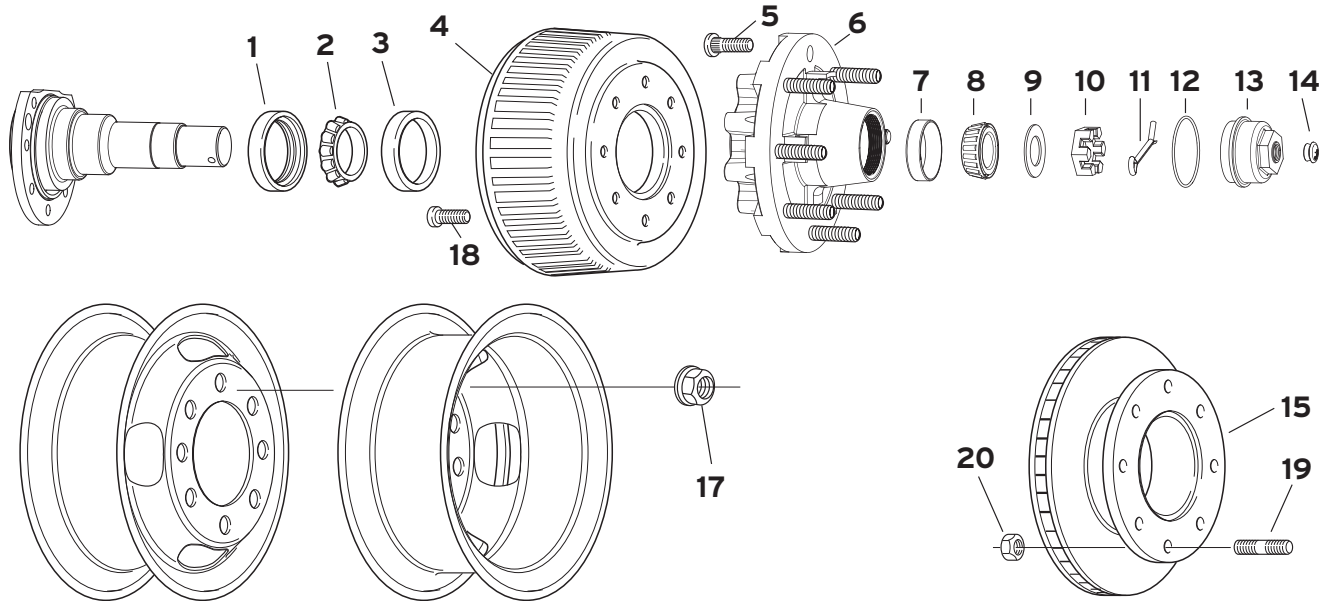
Dex-Treme D160 Electric Drum Brake - 12-1/4" x 5"



Item	Part No.	Qty	Description			
1	K71-503-00	1	LH Shoe & Lining Kit Contains: LH Primary (040-354-01) LH Secondary (040-355-02)			
	K71-502-00	1	RH Shoe & Lining Kit Contains: RH Primary (040-355-01) RH Secondary (040-354-02)			
2	036-120-02	1	Backing Plate Assembly			
5	047-123-36	1	LH Actuator Arm Assembly (shown)			
	047-123-35	1	RH Actuator Arm Assembly			
6	027-039-00	3	Wire Clip			
7	071-455-01	1	LH Arm/Shoe Retainer (shown)			
	071-455-02	1	RH Arm/Shoe Retainer			
8	006-092-01	1	Flange Nut			
9	K71-378-00	1	Magnet Kit Contains: Magnet Retainer Clip (027-050-00) Magnet Assembly (042-131-00) Magnet Mounting Spring (046-117-00)			
			10	046-136-00	2	Centering Spring
			11	071-462-00	1	Adjuster Cable
12	071-464-00	1	LH Adjuster Lever (shown)			
	071-463-00	1	RH Adjuster Lever			
14	046-137-00	1	Adjuster Spring			
15	048-019-00	1	LH Adjuster Assembly (shown)			
	048-020-00	1	RH Adjuster Assembly			
16	036-115-23	1	Dust Shield			
17	007-116-00	7	Brake Mounting Screw			
19	046-016-00	1	Wire Grommet			
20	046-132-00	1	Adjuster Clip (thread end)			
21	046-133-00	1	Adjuster Clip (barrel end)			
26	006-017-00	7	Brake Mounting Nut			
27	005-008-00	7	Brake Mounting Lock Washer			
28	046-119-00	1	Return Spring			

NOTE: D160 HUBS AND D150 HUBS AND HUB COMPONENTS ARE NOT INTERCHANGEABLE.

Dex-Treme D160 Hub Group



Item	Description	16K Disc (8 on 275 mm)	16K Drum (8 on 275 mm)
1	Unitized Oil Seal	010-056-01	010-056-01
2	Inner Bearing Cone	031-097-02 (39590)	031-097-02 (39590)
3	Inner Bearing Cup	031-097-01 (39520)	031-097-01 (39520)
4	Brake Drum	-	009-028-01
5	Wheel Mounting Stud	007-194-00	007-194-00
6	Hubs w/ Cups & Studs	008-095-08	008-095-08
7	Outer Bearing Cup	031-096-01 (JM205110)	031-096-01 (JM205110)
8	Outer Bearing Cone	031-096-02 (JM205149)	031-096-02 (JM205149)
9	Spindle Washer	005-331-00	005-331-00
10	Spindle Nut	006-297-00	006-297-00
11	Cotter Pin	019-040-00	019-040-00
12	Oil Cap "O" Ring	010-126-00	010-126-00
13	Oil Cap	021-226-10	021-226-10
14	Oil Cap Plug	021-234-10	021-234-10
15	Rotor	070-006-01	-
17	Flange Nut (swivel)	006-118-00	006-118-00
18	Mounting Screw	-	007-244-00
19	Mounting Stud	025-014-00	-
20	Mounting Nut	006-046-00	-

NOTE: D160 HUBS AND D150 HUBS AND HUB COMPONENTS ARE NOT INTERCHANGEABLE.