



PRODUCT BULLETIN #484

NEW 7,500 LBS. CAPACITY CSA-APPROVED D75 AXLE

September 21, 2023

Dexter is proud to announce a new CSA-approved 7,500 lbs. axle with 12-1/4" x 2-1/2" electric drum brakes offered exclusively with the Nev-R-Adjust® feature. As part of Dexter's narrow overhang product options, this 7,500 lbs. axle satisfies customers seeking increased carrying and braking capacity using a brake and hub-drum design exclusive to Dexter. The new rating is offered on the D75 Sprung axle, available in both a straight or 4" drop spindle configuration, 3" heavy wall round tubing, slipper or double-eye leaf springs, and E-Z Lube® or Oil Bath Lubrication.

Dexter's new 7,500 lbs. CSA rated D75 axle is currently available.

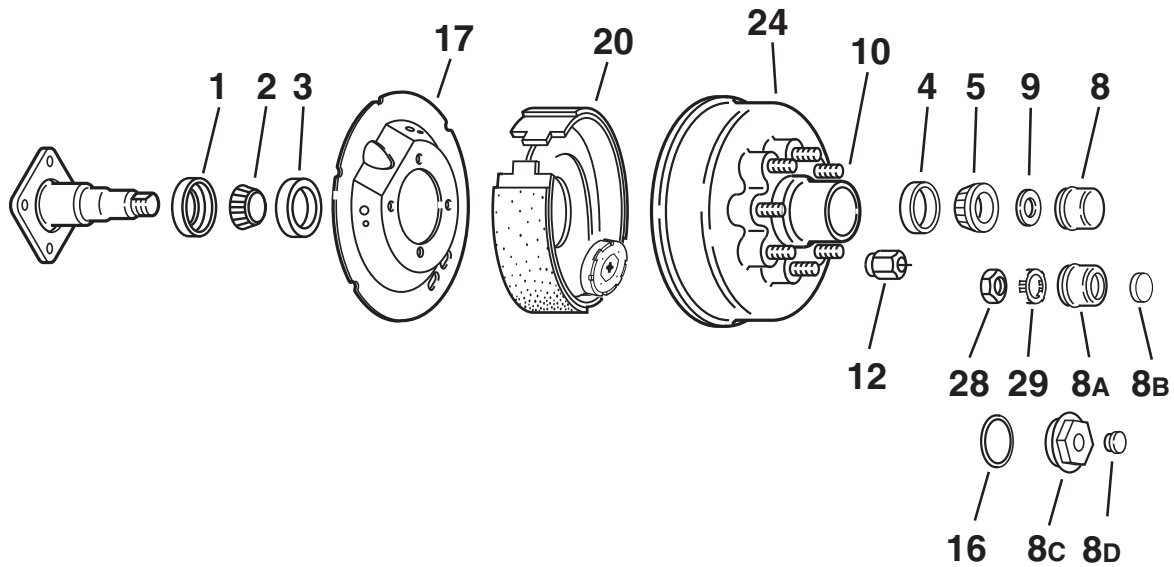
The product explosions on the following page detail the brake and hub-drums used to support the new rating.

Please contact your Dexter account manager for additional information and further assistance.

A handwritten signature in black ink that reads 'Mark Nave'.

Mark Nave
Product Manager

8 ON 6.50" HUB GROUP



ITEM	PART NO.	DESCRIPTION
LUBRICATION PARTS		
1	010-036-00	Grease Seal
1	010-063-00	Oil Seal (Unitized)
2	031-030-02	Inner Bearing Cone, 25580
3	031-030-01	Inner Bearing Cup, 25520
4	031-028-01	Outer Bearing Cup, 02420
5	031-028-02	Outer Bearing Cone, 02475
8	021-039-00	Grease Cap
8A	021-043-01	E-Z Lube® Grease Cap
8B	085-001-00	E-Z Lube® Rubber Plug
8C	021-035-00	Oil Cap
8D	046-032-00	Oil Cap Plug
9	005-057-00	Spindle Washer
16	010-045-00	Oil Cap ring
28	006-191-00	Jam Nut
29	006-190-00	Spindle Nut Retainer
ns	046-052-00	Oil Filler Plug (Only used prior to 10/03)

ITEM	PART NO.	DESCRIPTION
HUBS		
24	008-393-04	Grease - 9/16" Stud
24	008-393-06	Grease - 5/8" Stud
24	008-393-03	Oil Bath - 9/16" Stud
24	008-393-05	Oil Bath - 5/8" Stud
12-1/4" X 2-1/2" BRAKES		
17*	036-118-20	Dust Shield
20	K23-622-00	Nev-R-Adjust® Electric Brakes, RH
20	K23-623-00	Nev-R-Adjust Electric Brakes, LH
STUDS & WHEEL NUTS		
10	007-224-00	Press-in Stud, 5/8"-18
10	007-223-00	Press-in Stud, 9/16"-18
12	006-053-00	60° Cone Nut, 9/16"-18
12	006-109-00	90° Cone Nut, 5/8"-18
ns	006-058-00	Flange Nut, 5/8"-18

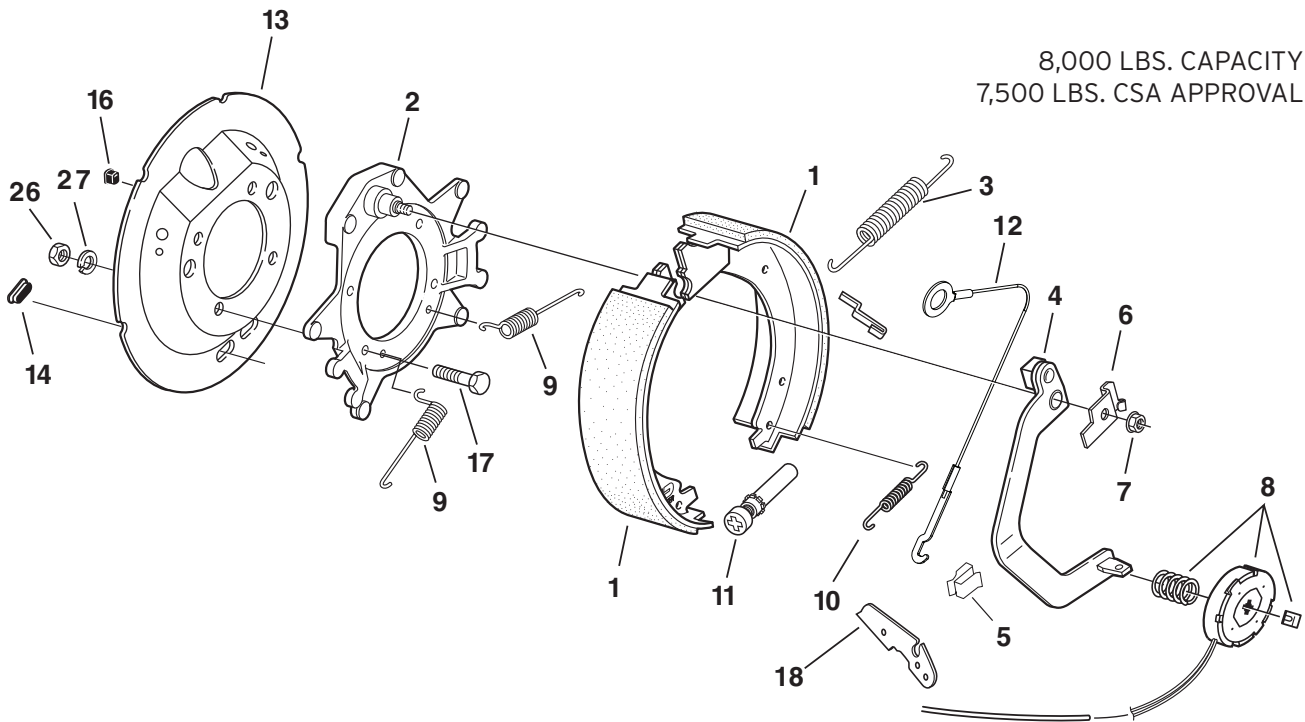
*Item not included in the assembly

Note: Spindle is not available for resale.

Before 5/2000 brakes require a stamped backing plate brake

12-1/4" X 2-1/2" NEV-R-ADJUST® BRAKE

8,000 LBS. CAPACITY
7,500 LBS. CSA APPROVAL



ITEM	PART NO.	DESCRIPTION
0	K23-622-00	Complete Brake Assembly, LH (shown)
0	K23-623-00	Complete Brake Assembly, RH
1	K71-981-00	Shoe & Lining Kit, LH Contains: 1 040-348-01 Primary Shoe & Lining 1 040-476-02 Secondary Shoe & Lining
1	K71-982-00	Shoe & Lining Kit, RH Contains: 1 040-349-01 Primary Shoe & Lining 1 040-477-02 Secondary Shoe & Lining
2	036-119-02	Backing Plate
3	046-119-00	Shoe Return (gray)
4	047-240-40	Actuating Lever Arm Assembly, LH
4	047-240-41	Actuating Lever Arm Assembly, RH
5	027-039-00	Wire Clip (3 per brake)
6	071-455-01	Lever Arm Retainer, LH
6	071-455-02	Lever Arm Retainer, RH
7	006-092-01	Flange Nut
8	K71-980-00	Magnet Kit Contains: 1 042-150-00 Magnet (red/white wire) 1 027-009-00 Magnet Retainer 1 046-175-00 Magnet Spring

ITEM	PART NO.	DESCRIPTION
9	046-136-00	Centering Spring (2 per brake)
10	046-137-00	Adjuster Spring (yellow)
11	048-019-00	Adjuster Assembly, LH (silver)
11	048-020-00	Adjuster Assembly, RH (gold)
12	071-462-00	Cable
18	071-464-00	Adjuster Lever, LH
18	071-463-00	Adjuster Lever, RH
*13	036-118-20	Dust Shield
*14	046-007-00	Adjuster Slot Plug (2 per brake)
*16	046-016-00	Magnet Wire Grommet
*17	007-251-00	Brake Mounting Bolt (4 per brake)
*26	006-129-00	Hex Nut (4 per brake)
*27	005-058-00	Lock Washer (4 per brake)

*Item not included in the assembly